


Sellacopter[™]
List it. Sell it. Done.



2002 Robinson R44 Raven I

Serial Number 1269

2002 Robinson R44 Raven I

Serial Number 1269

Aircraft Highlights

- First Run
- Emergency Float Kit
- New Blades installed December 2018

Airframe

Registration Number N177CS
Airframe Total Time 763.8 Hours
Annual Inspection April 2023

Engine

Engine Type Lycoming O-540-F1B5
Serial Number L-26161-40A
Engine Total Time 56 Hours

Exterior

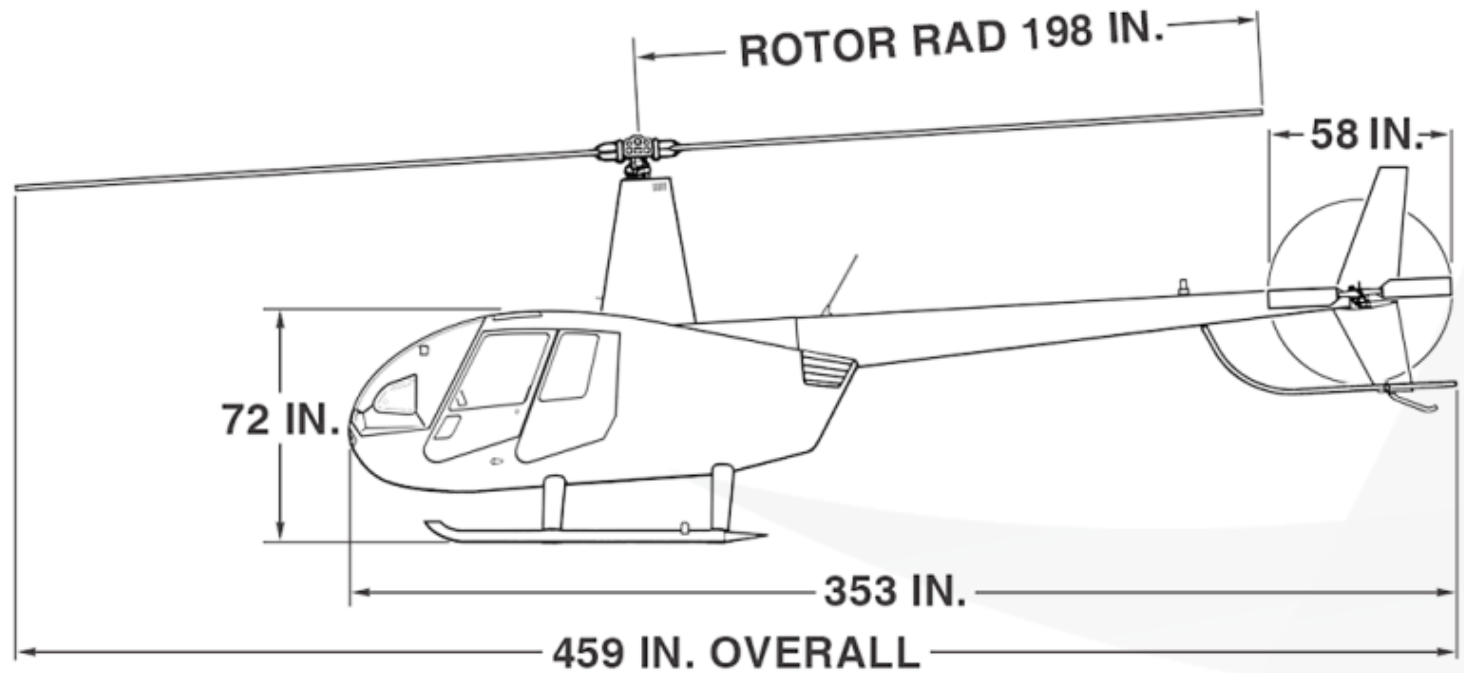
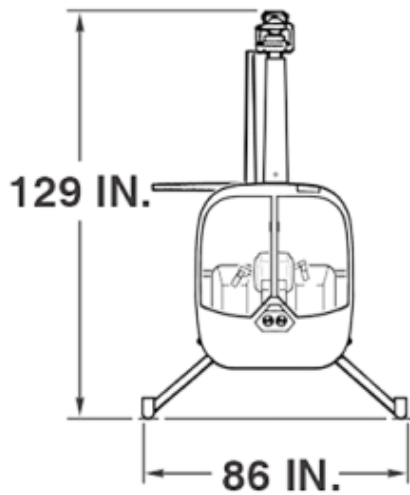
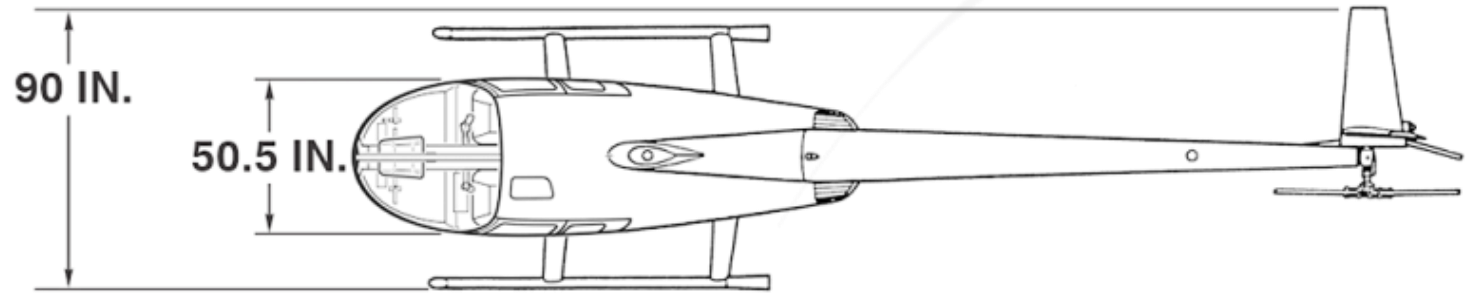
- Metallic Silver and Blue
- Pop-Out Floats
- 8/10

Interior

- Grey Leather
- 9-Hole Instrument console
- 7/10

Robinson R44

Raven I





R44 Pilot's Handbook
Sellacopter™

Avionics / Instruments

Garmin GNS 430 GPS

Garmin GTX 327 Transponder W/ ADS-B Out

Avionics Innovation AICD III Music Player

Attitude Indicator

Directional Gyro

VOR Receiver

Turn Coordinator

Pilot Accessory Bar



Sellacopter™

Additional Equipment

Nine Hole IFR Panel

Emergency Float Kit

Grey Leather Interior

Grey Aft / Upper Bulkhead

Ground Handling Wheels




Sellacopter




Sellacopter™

COMPONENT	Current Time	TBO	COMPONENT	Current Time	TBO
MR GEARBOX	763.8	1,436.2	CLUTCH SHAFT	763.8	1,436.2
MR BLADE	34.5 / Dec 2030	2,165.5	BEARING ASSY	763.8	1,436.2
MR BLADE	34.5 / Dec 2030	2,165.5	SPRAG CLUTCH	763.8	1,436.2
MR SWASHPLATE	34.5	2,165.5	TR DRIVESHAFT	763.8	1,436.2
FRAME ASSY	763.8	1,436.2	LOWER SWASHPLATE	763.8	1,436.2
TR GEARBOX	763.8	1,436.2	MR DRIVESHAFT	763.8	1,436.2
TAILCONE ASSY	763.8	1,436.2	MRGB SUMP	763.8	1,436.2
TR BLADE	1061 / 2027	1,139	MRGB HOUSING	763.8	1,436.2
TR BLADE	1062 / 2027	1,139	TR GEARSET	763.8	1,436.2
TR HUB ASSY	763.8	1,436.2	TR GUARD	763.8	1,436.2
TR PITCH CONTROL	763.8	1,436.2	HYD. RESV. ASSY	763.8	1,436.2
HORIZ STAB	763.8	1,436.2	HYD. RESV. ASSY	763.8	1,436.2
ACTUATOR	763.8	1,436.2	HYD. RESV. ASSY	763.8	1,436.2
MR GEARSET	763.8	1,436.2	HYD. RESV. ASSY	763.8	1,436.2
MR HUB	763.8	1,436.2	HYD. RESV. ASSY	763.8	1,436.2
MR SPINDLE	34.5	2,165.5			
MR SPINDLE	34.5	2,165.5			



DANGER


Sellacopter™





Sellacopter™

Contact us



Primary:


Matt Lombard

 512-877-5111

 Matt.L@sellacopter.com

Secondary:

Ian Swett

 512-877-8993

 Ian.S@sellacopter.com

Office

 1-855-SELLACOPTER (735-5226)

 Sales@sellacopter.com

 Sellacopter.com