


SellaCopter™

List it. Sell it. Done.



2013 Robinson R44 Raven II

Serial Number 13471

2013 Robinson R44 Raven II

Serial Number 13471

Aircraft Highlights

- Dual Garmin GPS
- ADS-B Out
- Fuel Bladders
- Air Conditioning

Airframe

Registration Number N197BJ
Airframe Total Time 1,075 Hours

Exterior

- Black
- 8/10

Engine

Engine Type Lycoming IO-540-AE1A5
Serial Number L-35256-48E
Engine Total Time 1,075 Hours

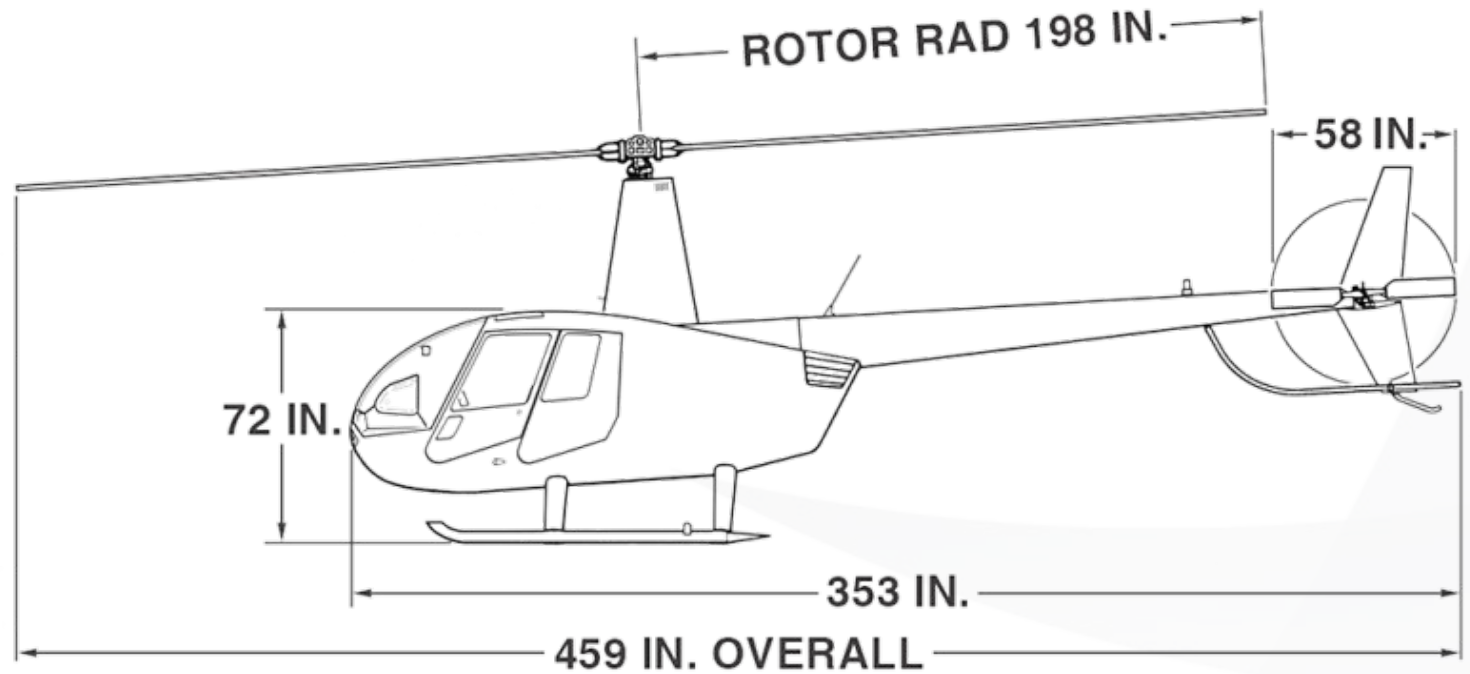
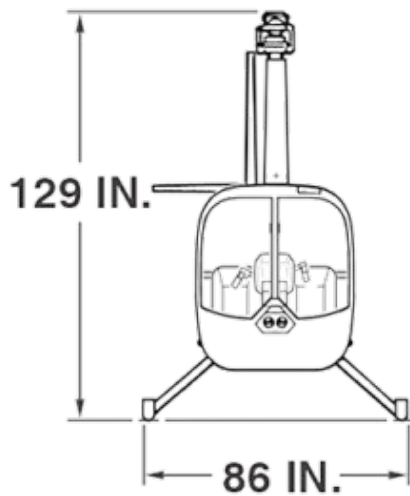
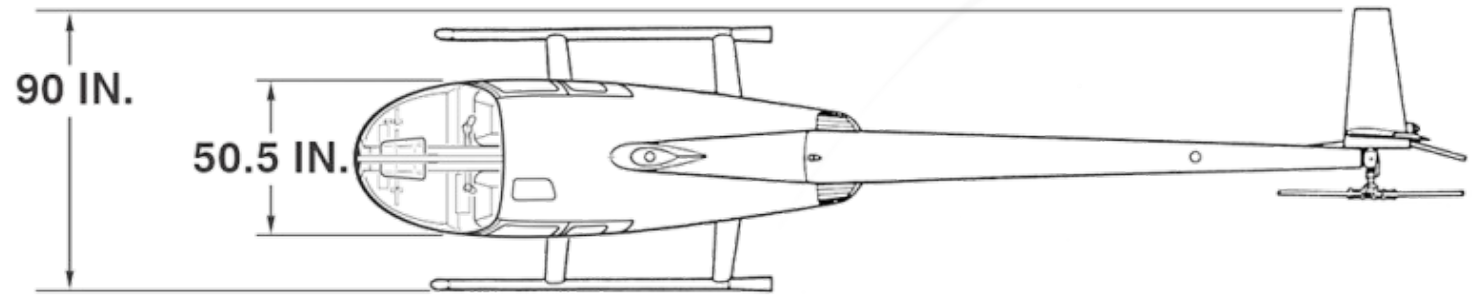
Interior

- Tan Leather
- 9/10

Flight Hours Subject to Slight Variance

Robinson R44

Raven II





RAVI MOUNTS

N197BJ

R44 Raven II

GARMIN

LOW-G PUSHOVERS PROHIBITED

Avionics / Instruments

Garmin 696

TAS 615 Traffic Advisory System

Garmin GPS500W

Dual KY-196A Comms

Garmin GTX 330 Transponder



Installed Equipment

Pilot Side Accessory Bar

Fuel Bladders

Tan Leather Interior

Ground Handling Wheels

Air Conditioning





R44
Robinson II

N197BJ

WARNING

CSA

Contact us



Primary:

Ian Swett



512-877-8993



ian.s@sellacopter.com

Office



1-855-SELLACOPTER (735-5226)



Sales@sellacopter.com



www.sellacopter.com