

  
**Sellacopter**<sup>™</sup>

List it. Sell it. Done.



**2005 Robinson R44 Raven II**

**Serial Number 10792**

# 2005 Robinson R44 Raven II

Serial Number 10792

## Aircraft Highlights

- Professionally Maintained
- ADS-B Out
- Fuel Bladders
- Air Conditioning

## Airframe

**Registration Number** N74500  
**Airframe Total Time** 3155.4 Hours  
**Airframe TSMOH** 986.9 Hours  
**Annual Inspection** Oct 2023

## Engine

**Engine Type** Lycoming IO-540-AE1A5  
**Serial Number** L-30294-48A  
**Engine Total Time** 3155.4 Hours  
**Engine TSMOH** 986.9 Hours

## Exterior

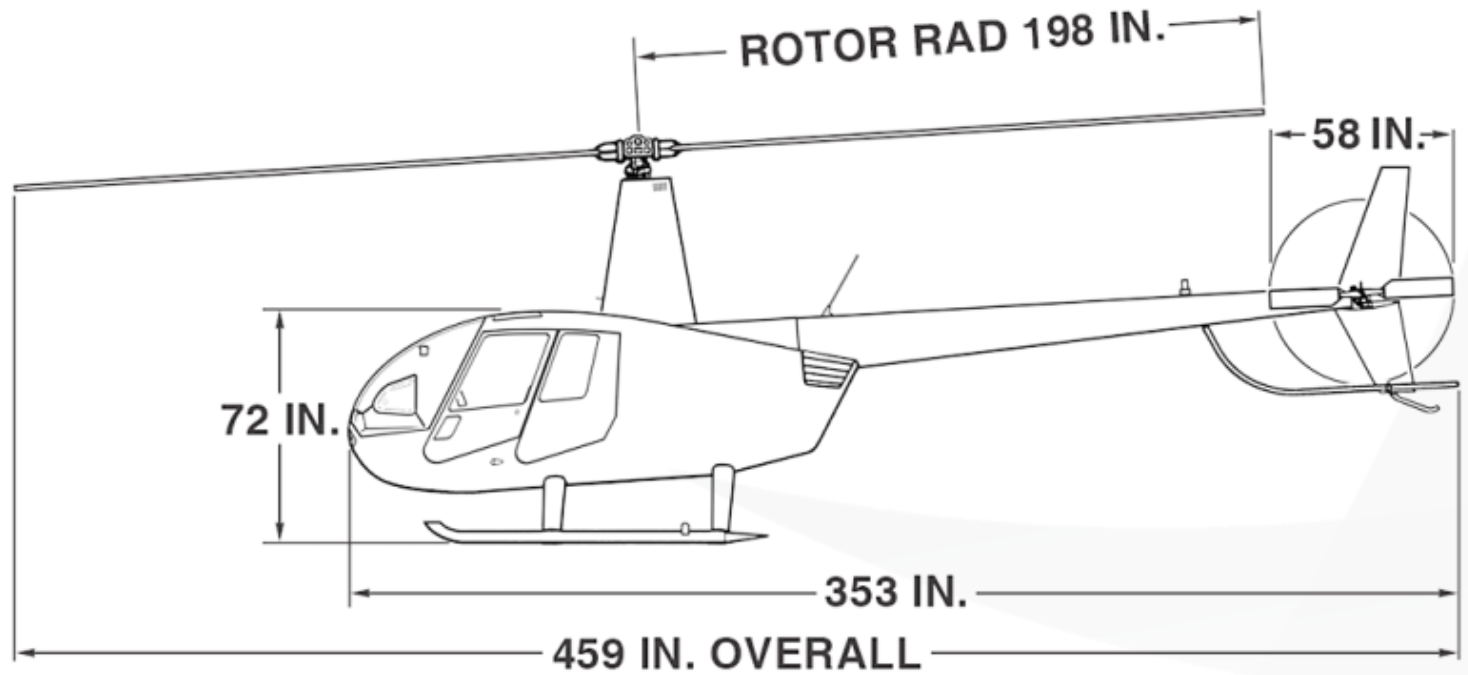
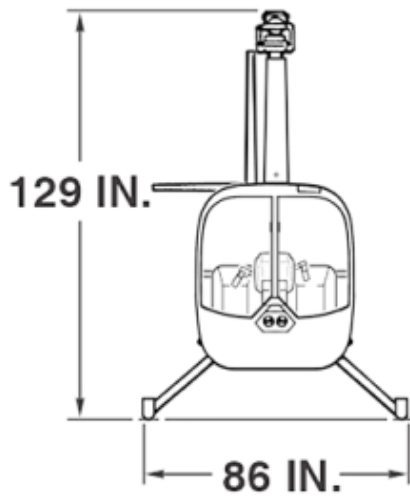
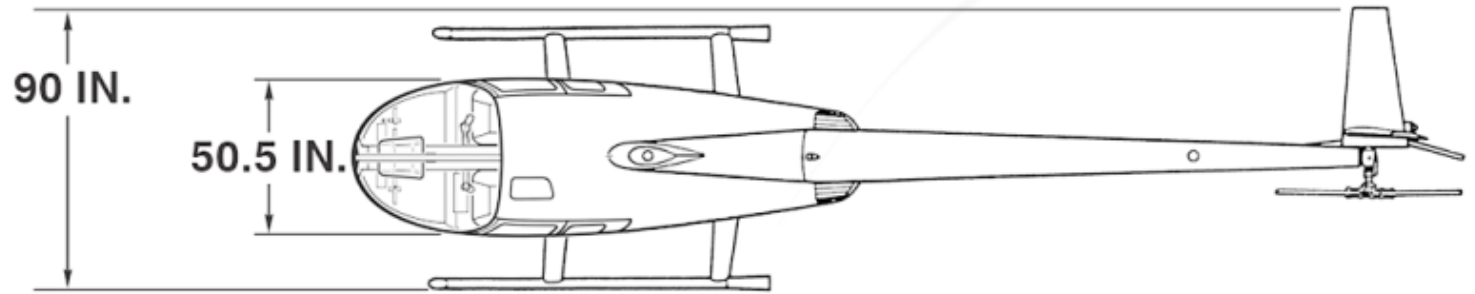
- Bright Red
- 8/10

## Interior

- Grey Cloth
- 6/10

# Robinson R44

## Raven II





## Avionics / Instruments

GNC 420 GPS

Bendix King KY196A Comm

KT76 Transponder

ADS-B Out



# Installed Equipment

Seven Hole VFR Panel

Fuel Bladders

ADSB – OUT Tail Beacon

Grey Cloth Interior

Grey Aft / Upper Bulkhead

Ground Handling Wheels

Air Conditioning



N74500

REAR VIEW






# Contact us



## Primary:

### Ian Swett

 512-877-8993

 [Ian.S@sellacopter.com](mailto:Ian.S@sellacopter.com)

### Office

 1-855-SELLACOPTER (735-5226)

 [Sales@sellacopter.com](mailto:Sales@sellacopter.com)

 [www.sellacopter.com](http://www.sellacopter.com)