

  
**Sellacopter**<sup>™</sup>

List it. Sell it. Done.



**2013 Robinson R44 Raven II**

**Serial Number 13591**

# 2013 Robinson R44 Raven II

Serial Number 13591

## Aircraft Highlights

Professionally Maintained  
Fuel Bladders

Always Hangared

## Airframe

Registration Number N323RD  
Airframe Total Time 295 Hours

## Exterior

- Navy Blue
- White Registration

## Engine

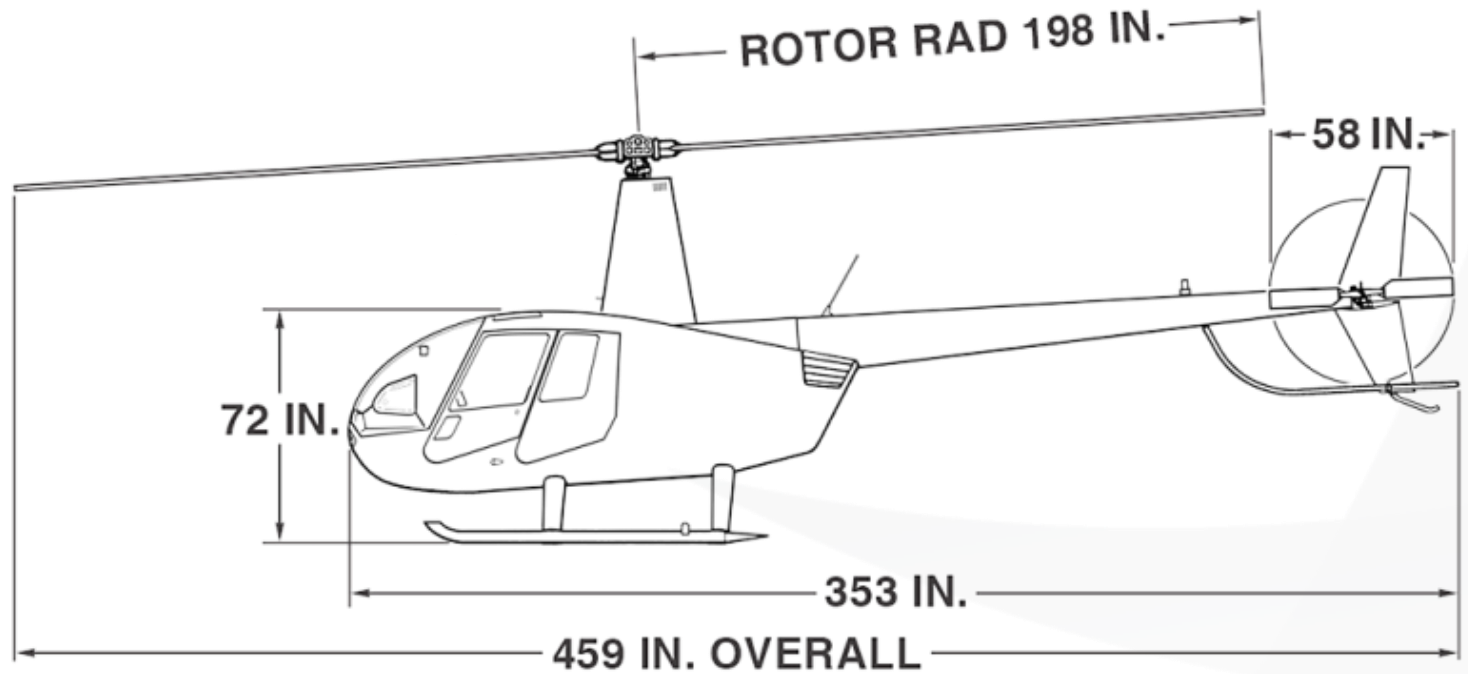
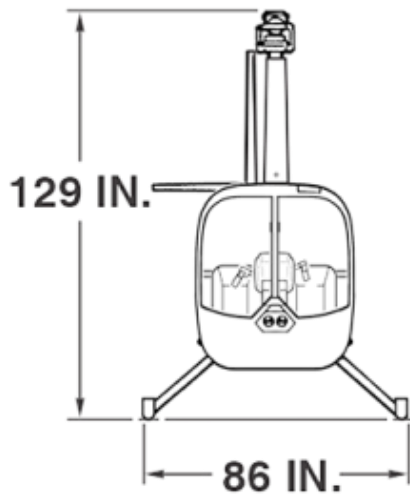
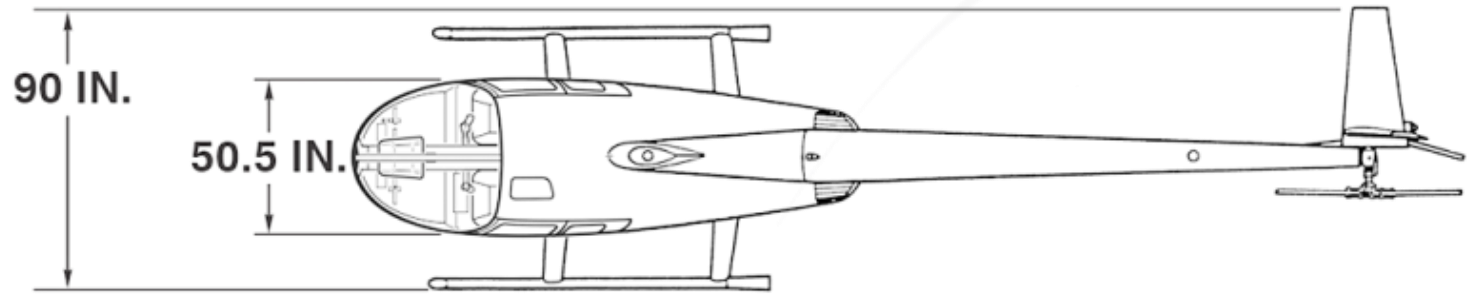
Engine Type Lycoming IO-540-AE1A5  
Serial Number L-31710-48A  
Engine Total Time 295 Hours

## Interior

- Tan Leather

# Robinson R44

## Raven II





# Avionics / Instruments

GTN 420W GPS / COMM

United Instruments Altimeter

United Instruments VSI

United Instruments Airspeed Indicator

COMM – Bendix King KY196A

Vertical Compass Card

Dual Tachometer

Mid-Continent Turn Coordinator

Transponder GTX 330

NAT Audio Control



# Additional Equipment

---

Nine Hole Panel

---

Fuel Bladders

---

Tan Leather Interior

---

Tan Aft / Upper Bulkhead

---

Bose Six Pin Interface

---

ADSB Out

---

Air Conditioning

---










# Contact us



**Primary:**


**Ian Swett**

 512-877-8993

 [ian.s@sellacopter.com](mailto:ian.s@sellacopter.com)

**Secondary:**

**Halsey Schider**

 512-886-8300

 [Halsey.s@sellacopter.com](mailto:Halsey.s@sellacopter.com)

## Office

 1-855-SELLACOPTER (735-5226)

 [Sales@sellacopter.com](mailto:Sales@sellacopter.com)

 [Sellacopter.com](http://Sellacopter.com)