


Sellacopter[™]
List it. Sell it. Done.



2005 Robinson R44 Raven II
Serial Number 10951

2005 Robinson R44 Raven II

Serial Number 10951

Aircraft Highlights

- Freshly Overhauled!
- Air Conditioning
- New Interior

Airframe

Registration Number N108EH
Airframe TSO 11.2 Hours
Annual Inspection December 2022

Exterior

- Gloss Black
- 8/10

Engine

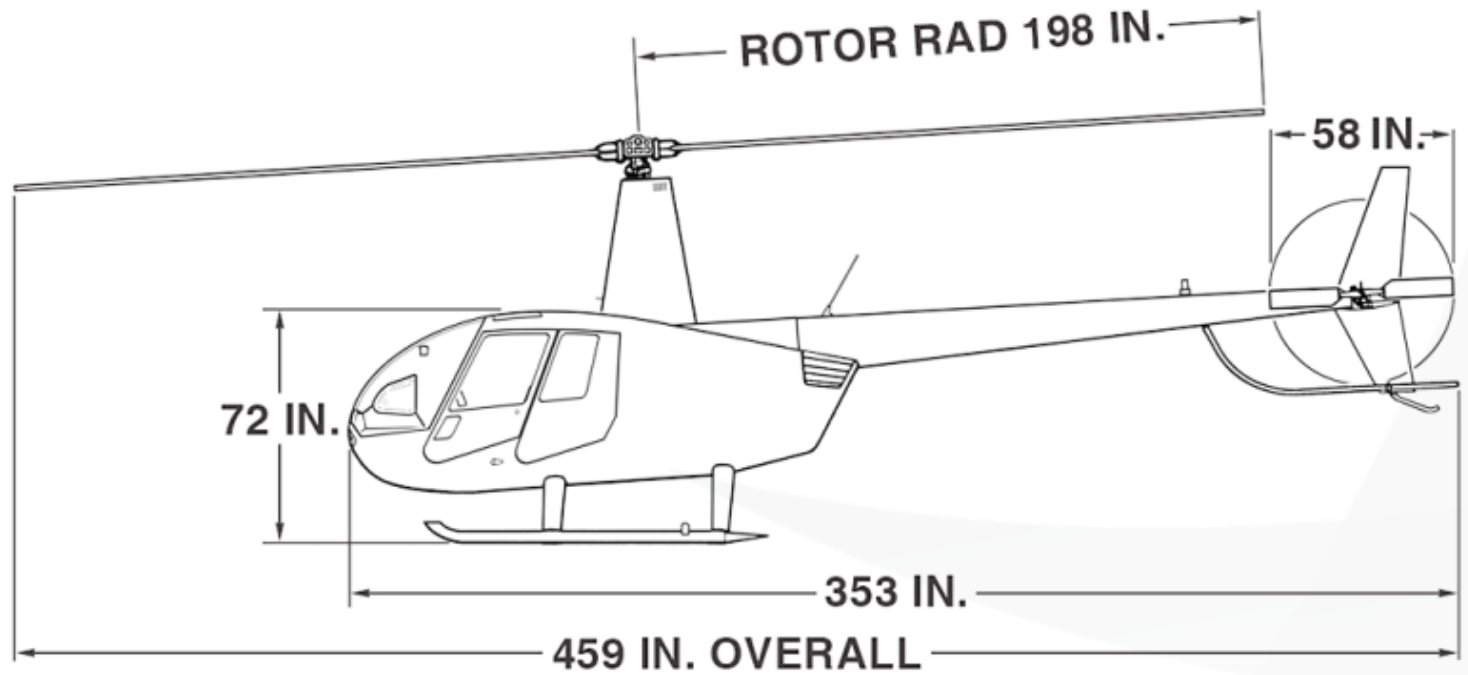
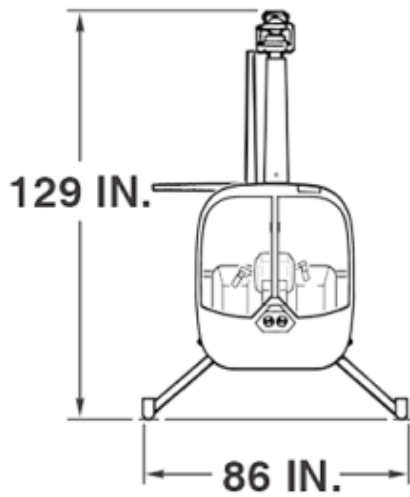
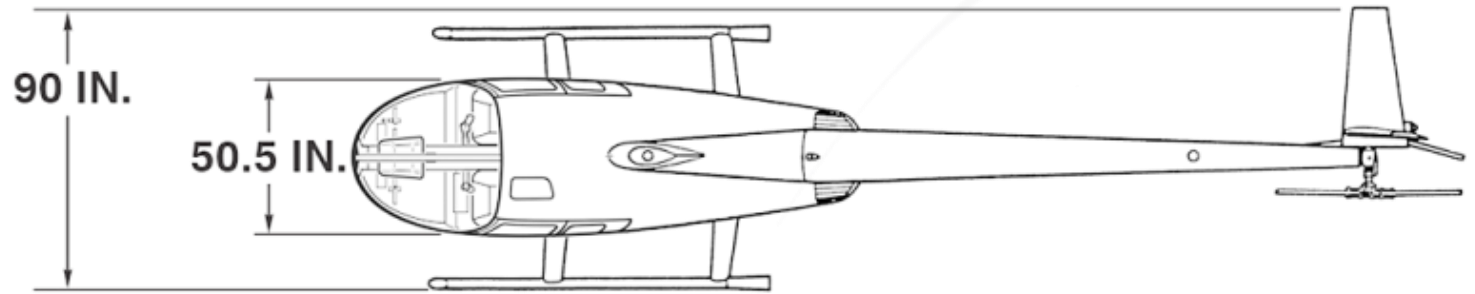
Engine Type Lycoming IO-540-AE1A5
Serial Number L-30567-48A
Engine Total Time 11.2 Hours

Interior

- Tan Leather
- 9/10

Robinson R44

Raven II



Avionics / Instruments

IFR Panel

GNS 430 GPS

Attitude Indicator

HSI

Turn Coordinator

ADF w/ DME

KT76C Transponder



STARTER ON

LOW RPM

LOW FUEL

PULL TO OPEN CARBON MONOXIDE

CLUTCH



AUX FUEL PUMP

FUEL FILTER

N108EH



R44 Raven II

Hours: 22:21:10
Collective Activated

MAGNETIC CHRONOMETER
35:4.6

ALT ENG FIRE OIL GOV OFF

70 AMP S 70 55 115
OIL PRESS

1/2 F FUEL 180 245
OIL TEMP

AUX 17.0 US GAL

29.8 US GAL

1/2 F FUEL 180 350 500
OIL TEMP

ON AUDIO OFF

ON NAV 1 OFF ONE NAV 2 OFF



CAUTION
DO NOT EXCEED
MP TABLE 1 8070

2 MIN.
NO PITCH
INFORMATION

BENDIX/KING

FUEL FILTER

108EH



R44 Raven II



AUX 17.0 US GAL

29.5 US GAL



NOT APPROVED FOR IFR FLIGHT

Control panel area containing a 'BRAKE' indicator light, a 'DIM' knob, and several switches: 'NAV LTS', 'STROBE', 'ENG', 'DISEN', 'ALT', 'MASTER BATTERY', and a 'PRIME' selector knob with 'OFF', 'R', 'L', and 'BOTH' positions. A keychain is attached to the prime knob.

NAVIGATION LIGHTS MUST
REMAIN ON FOR ADS-B OUT

Audio and communication controls including 'MUSIC VOL', 'PILOT ISO', 'INTER', and 'MUSIC' buttons and knobs.

PULL (ST) VENT

Navigation controls including 'GPS', 'MENU', 'CLR', 'ENT', and 'DEFAULT' buttons.

NAV LTS OFF OFF GEN ALT MASTER BATTERY OFF OFF

STROBE

NAVIGATION LIGHTS MUST REMAIN ON FOR ADS-B OUT

PULL (5) VENT

ICS VOL VOX MUSIC VOL

LIVE MAX INTER MUSIC MIN MAX

PILOT ISO NORM

nat

MIXT PULL LE OFF

GARMIN GNS 430

PWR VOL PUSH SO VOL PUSH ID

COM/VLOC

CDI OBS MSG FPL PROC

RNG MENU CLR ENT

DEFAULT NAV GPS

PUSH CANCEL

ADF KR 87 TSO

STBY/TIMER

BENDIX/KING ADF BFO FRQ FLT/ET SET/AST

BENDIX/KING XTDR KT 76C TSO

TST ON ALT

SBY OFF

ALTITUDE ENCODER INSTALLED

0 1 2 3 4 5 6 7 CLR

DANGER
TAIL ROTOR
HOT EXHAUST





166
TURBINE

NO FLAME
NO SMOKE

MAXIMUM CONTINUOUS POWER

Altitude	Power	Time
10000	18.1	18.4
8000	18.8	20.1
6000	19.3	20.5
4000	19.7	20.8
2000	20.1	21.0
1000	20.4	21.1
500	20.7	21.2
0	20.9	21.3
100	21.1	21.4
200	21.2	21.5
300	21.3	21.6
400	21.4	21.7
500	21.5	21.8
600	21.6	21.9
700	21.7	22.0
800	21.8	22.1
900	21.9	22.2
1000	22.0	22.3
1100	22.1	22.4
1200	22.2	22.5
1300	22.3	22.6
1400	22.4	22.7
1500	22.5	22.8
1600	22.6	22.9
1700	22.7	23.0
1800	22.8	23.1
1900	22.9	23.2
2000	23.0	23.3

NO FLIGHT

Altitude	Power	Time
10000	17.1	17.4
8000	17.8	19.1
6000	18.3	19.5
4000	18.7	19.8
2000	19.1	20.0
1000	19.4	20.1
500	19.7	20.2
100	19.9	20.3
200	20.1	20.4
300	20.2	20.5
400	20.3	20.6
500	20.4	20.7
600	20.5	20.8
700	20.6	20.9
800	20.7	21.0
900	20.8	21.1
1000	20.9	21.2
1100	21.0	21.3
1200	21.1	21.4
1300	21.2	21.5
1400	21.3	21.6
1500	21.4	21.7
1600	21.5	21.8
1700	21.6	21.9
1800	21.7	22.0
1900	21.8	22.1
2000	21.9	22.2

OVER 2000 LB TOW SUBTRACT 10 KIAS

FOR AUTOMATION SUBTRACT 10 KIAS

10-2011

Altitude	Power	Time
10000	18.1	18.4
8000	18.8	20.1
6000	19.3	20.5
4000	19.7	20.8
2000	20.1	21.0
1000	20.4	21.1
500	20.7	21.2
100	20.9	21.3
200	21.1	21.4
300	21.2	21.5
400	21.3	21.6
500	21.4	21.7
600	21.5	21.8
700	21.6	21.9
800	21.7	22.0
900	21.8	22.1
1000	21.9	22.2
1100	22.0	22.3
1200	22.1	22.4
1300	22.2	22.5
1400	22.3	22.6
1500	22.4	22.7
1600	22.5	22.8
1700	22.6	22.9
1800	22.7	23.0
1900	22.8	23.1
2000	22.9	23.2





Additional Equipment

Air Conditioning

Fuel Bladders

ADSB – OUT Tail Beacon

Tan Leather Interior

Tan Aft / Upper Bulkhead

Ground Handling Wheels



N108EH

DANGER





COMPONENT	Current Time	TBO
Airframe	2,211.2	2,188.8
MR Blades	11.2 / 2034	2,188.8 / 12 yrs
TR Blades	11.2 / 2034	2,188.8 / 12 yrs
Engine	11.2	2,188.2








Contact us



Primary:


Zack Robinson

 512-886-8220

 Zack.R@sellacopter.com

Secondary:

Zach Whitehead

 512-886-8301

 Zach.W@sellacopter.com

Office

 1-855-SELLACOPTER (735-5226)

 Sales@sellacopter.com

 Sellacopter.com