

A white Robinson R44 Raven II helicopter is parked on a tarmac. The helicopter has "R44" and "N128AF" written on its side. The background shows an airport with hangars and other aircraft. The image is framed by a blue circular border.

Sellacopter[™]

List it. Sell it. Done.

2006 Robinson R44 Raven II

Serial Number 11475

2006 Robinson R44 Raven II

Serial Number 11475

Aircraft Highlights

Professionally Maintained
Fuel Bladders

Always Hangared
Nine Hole Panel

Airframe

Registration Number N128AF
Airframe Total Time 2101
Annual Inspection November 2023

Exterior

- White
- Black Accent Stripe

Engine

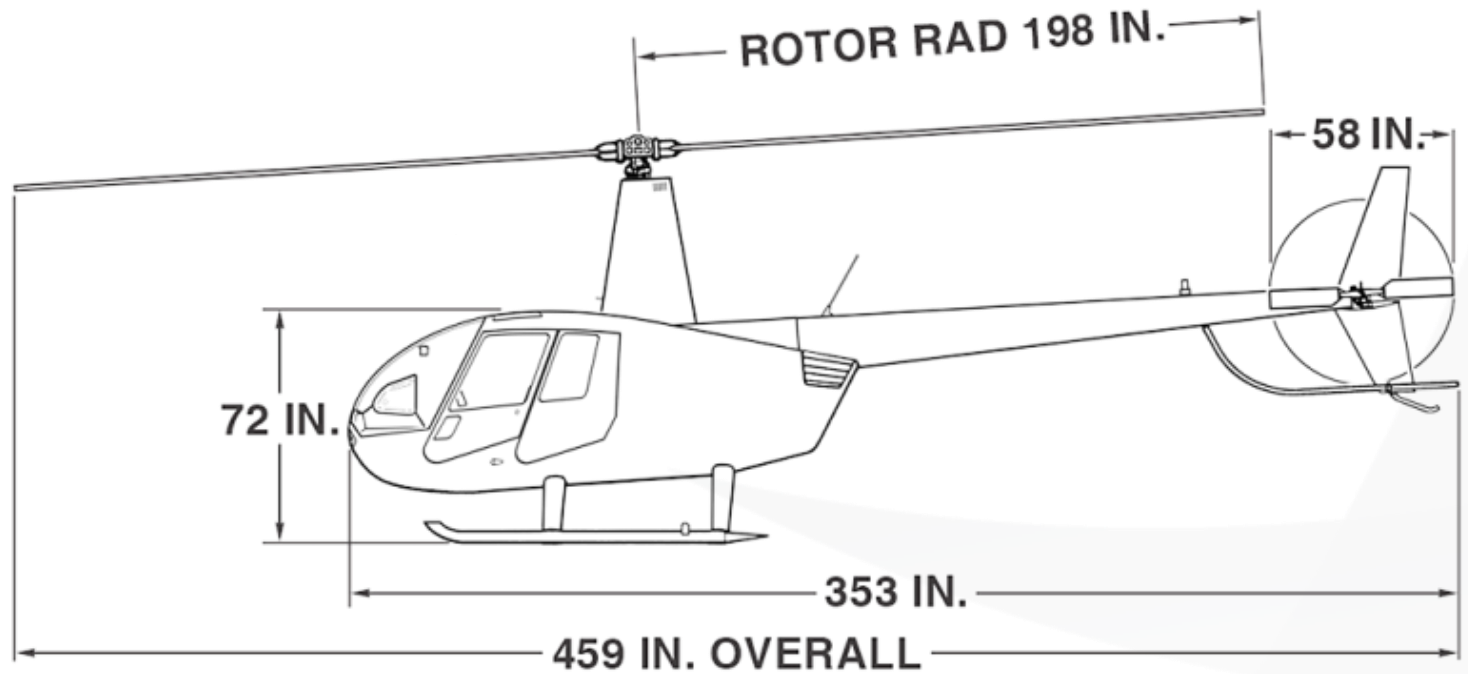
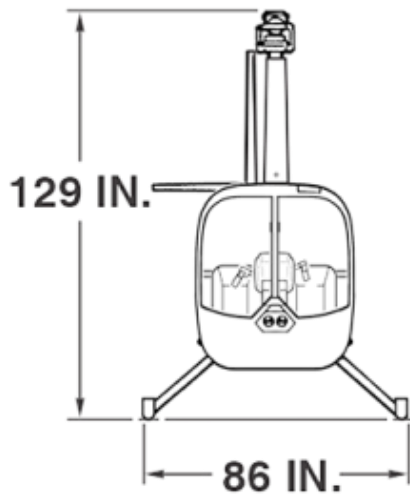
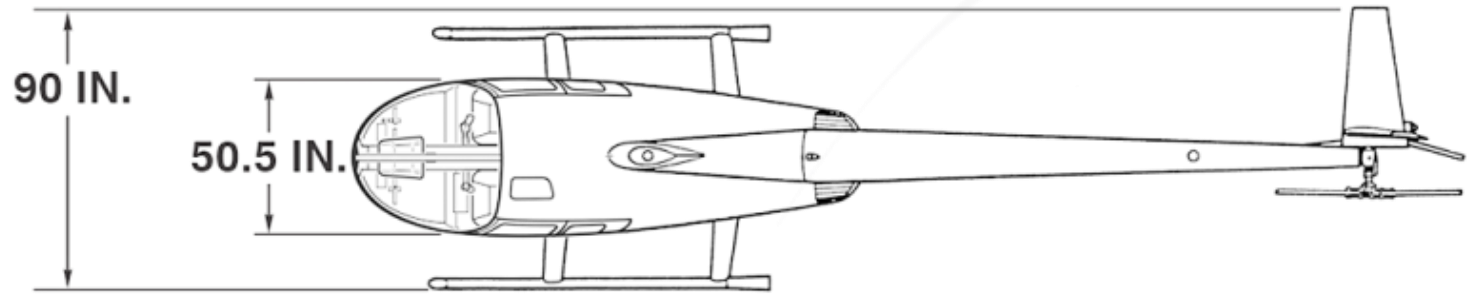
Engine Type Lycoming IO-540-AE1A5
Serial Number L-32473-48E
Engine Total Time 2101 – 518.6 Hours Since Overhaul

Interior

- Dark Blue Leather

Robinson R44

Raven II





FM/Z OM MM HI

OFF DIM

ON MB AUDIO
OFF

MR TEMP

TR CHIP

ER

KNOTS

FEET

ALT

MPH

AIR/FED

100 80 60

110 100 90 80 70 60 50

RPM

STARTER ON

LOW RPM

LOW FUEL

CARBON MONOXIDE

CLUTCH

MANIFOLD PRESSURE

INCHES OF MERCURY

CAUTION DO NOT EXCEED MP TABLE LIMITS

D.C. ELEC.

TURN COORDINATOR

2 MIN. NO PITCH INFORMATION

NAV HDG

65 30 35 65

VERTICAL SPEED

100 FEET PER MINUTE

5 UP 5 DOWN

FUEL FILTER

R44

ALT ENG FIRE OIL GOV OFF

HOURS

2103

COLLECTIVE ACTIVATED

70 70

AMPS

55 115

OIL PRESS.

R44 Raven II

1/2 F FUEL

75 180 245

OIL TEMP

AUX 17.0 US GAL

29.5 US GAL

1/2 F FUEL

300 350 500

CYL. HD. TEMP.

N128AF

QUARTZ CHRONOMETER

1:50:00

TIMER CLOCK

SET RST MODE ST/ST

BRAKE

APPROVED FOR IFR FLIGHT

Avionics / Instruments

GNS 430 GPS

United Instruments Altimeter

United Instruments VSI

United Instruments Airspeed Indicator

COMM – Bendix King KY196A

Vertical Compass Card

Dual Tachometer

BF Goodrich Attitude Indicator

Mid Continent Turn Coordinator

Bendix/King Remote Gyro

Transponder KT76C

NAT Audio Control



SOLO FROM RIGHT SEAT ONLY

DANGER
TAIL ROTOR
NOT EXHAUST

R44 Raven II

N128AF

LOW-G PUSHOVERS PROHIBITED

R44 II Pilot's Handbook
Pilot's Handbook
R44 II
POB

START
FREQ
CH SEL
HYD
OFF





Additional Equipment

Nine Hole Panel

Fuel Bladders

ADSB – OUT Tail Beacon UAVIONI

Dark Blue Leather Interior

Ground Handling Wheels

Air Conditioning



N128AF

R44
Robinson R

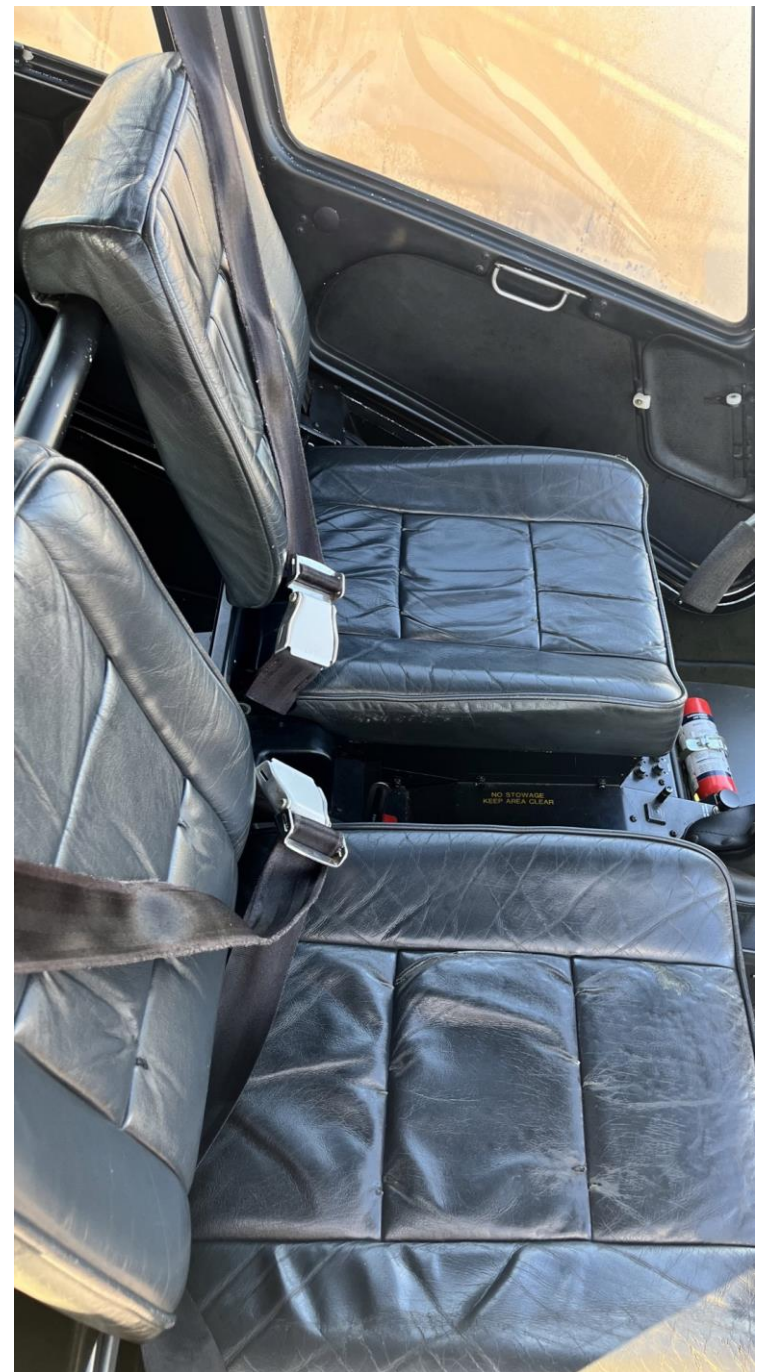
R44

DANGER

DANGER

BERT WHITTED
AIRPORT

Component	TSN	TBO
MR BLADE	1946.3	254
MR BLADE	1510.4	689.6
MR SWASHPLATE	2101	2,299
FRAME ASSY	2101	99
TR GEARBOX	2101	99
TAILCONE ASSY	2101	2,299
TR BLADE	670	1529.9
TR BLADE	670	1,529.9





N128AF



N128AF


1144

Contact us



Primary:


Zack Robinson

 512-886-8220

 Zack.R@sellacopter.com

Secondary:

Halsey Schider

 512-886-8300

 Halsey.s@sellacopter.com

Office

 1-855-SELLACOPTER (735-5226)

 Sales@sellacopter.com

 Sellacopter.com