


SellacopterTM
List it. Sell it. Done.



2014 Robinson R44 Raven II

2014 Robinson R44 Raven II

Aircraft Highlights

Professionally Maintained
Air Conditioning
Fuel Bladders

Airframe

Registration Number N544RB
Airframe Total Time 2010 Hours*
Annual Inspection May 2022

Engine

Engine Type Lycoming IO-540-AE1A5
Engine Total Time 2010 Hours*

Exterior

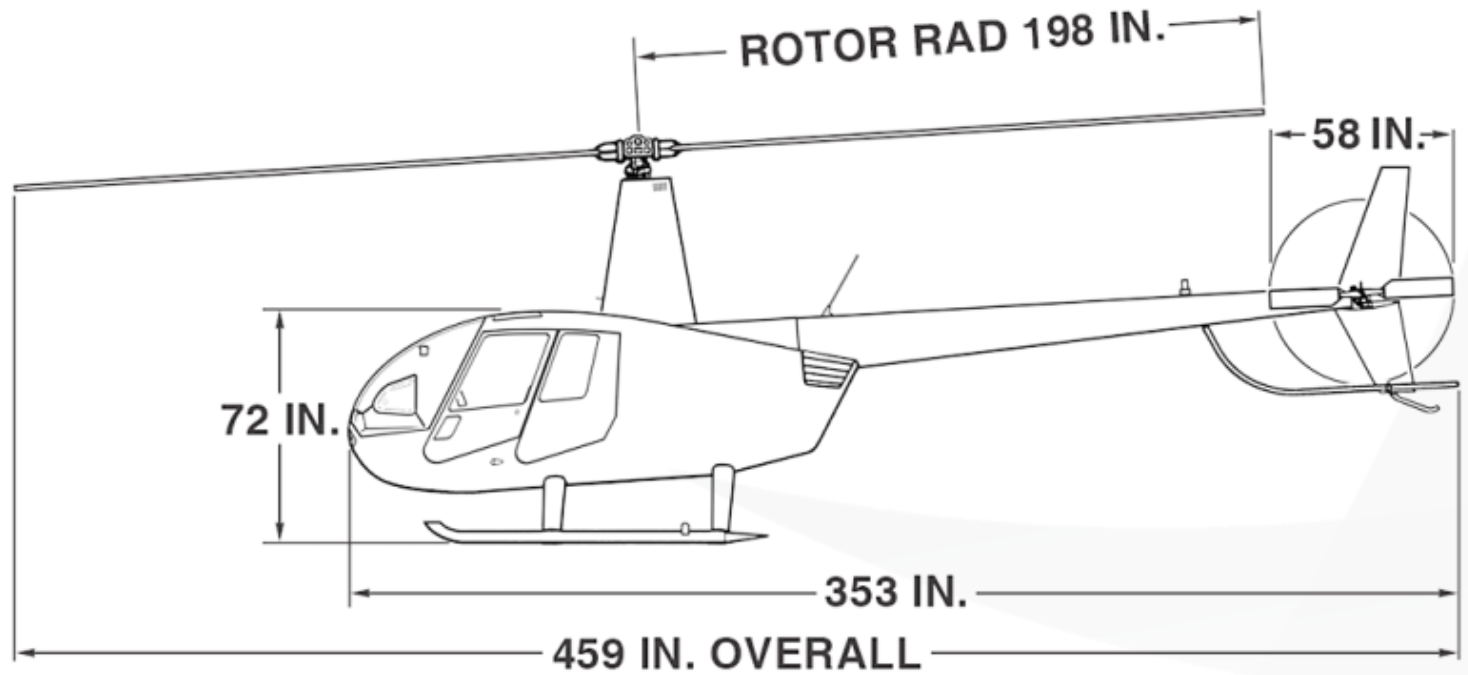
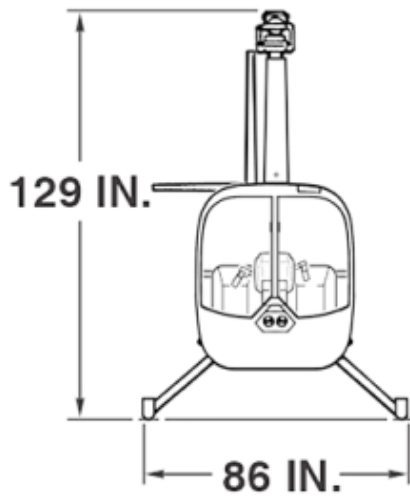
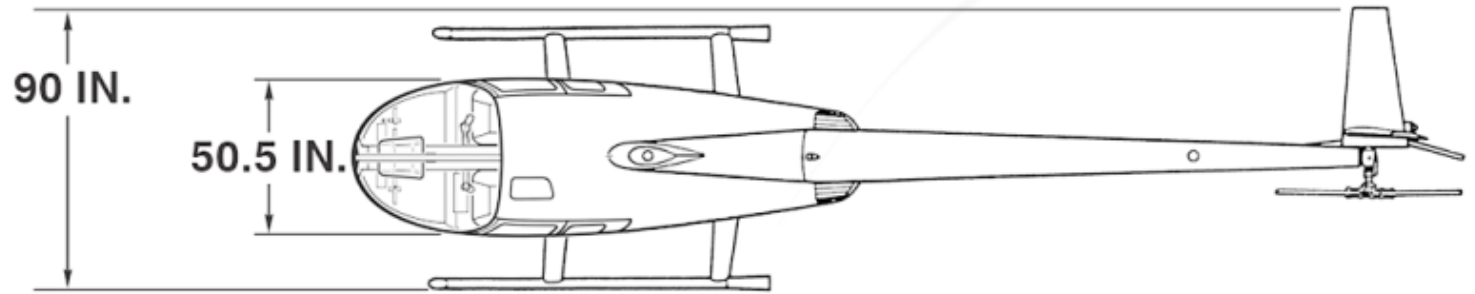
- Red
- Black/Grey Accents
- 8/10

Interior

- Tan Cloth
- 6/10

Robinson R44

Raven II





Avionics / Instruments

KY196A Comm

Stratus EDB Transponder

Audio Controller

Basic 7 Hole VFR Panel

Pilot Side Avionics Bar Mount



Additional Equipment

Air conditioning

Fuel Bladders

ADSB – OUT

Tan Cloth Interior

Tan Aft / Upper Bulkhead



COMPONENT	Current Time	TBO
Airframe	2,010 Hrs*	190
Engine	2,010 Hrs*	190
MR Blades	2,010 Hrs* / 2026	190 / 3 yrs
TR Blades	2,010 Hrs* / 2026	190 / 3 yrs

* Hours subject to change - aircraft actively flying






Contact us



Primary:


Zack Robinson

 512-886-8220

 Zack.R@sellacopter.com

Secondary:

Zach Whitehead

 512-886-8301

 Zach.W@sellacopter.com

Office

 1-855-SELLACOPTER (735-5226)

 Sales@sellacopter.com

 Sellacopter.com