


Sellacopter[™]
List it. Sell it. Done.



2013 Robinson R44 Raven I
Serial Number 2301

2013 Robinson R44 Raven I

Serial Number 2301

Aircraft Highlights

Professionally Maintained
Fuel Bladders

Airframe

Registration Number N74EP
Airframe Total Time 1,830 Hours (subject to slight variance)
Annual Inspection June 2021

Exterior

- Red
- Gold Accent Stripe
- 7/10

Engine

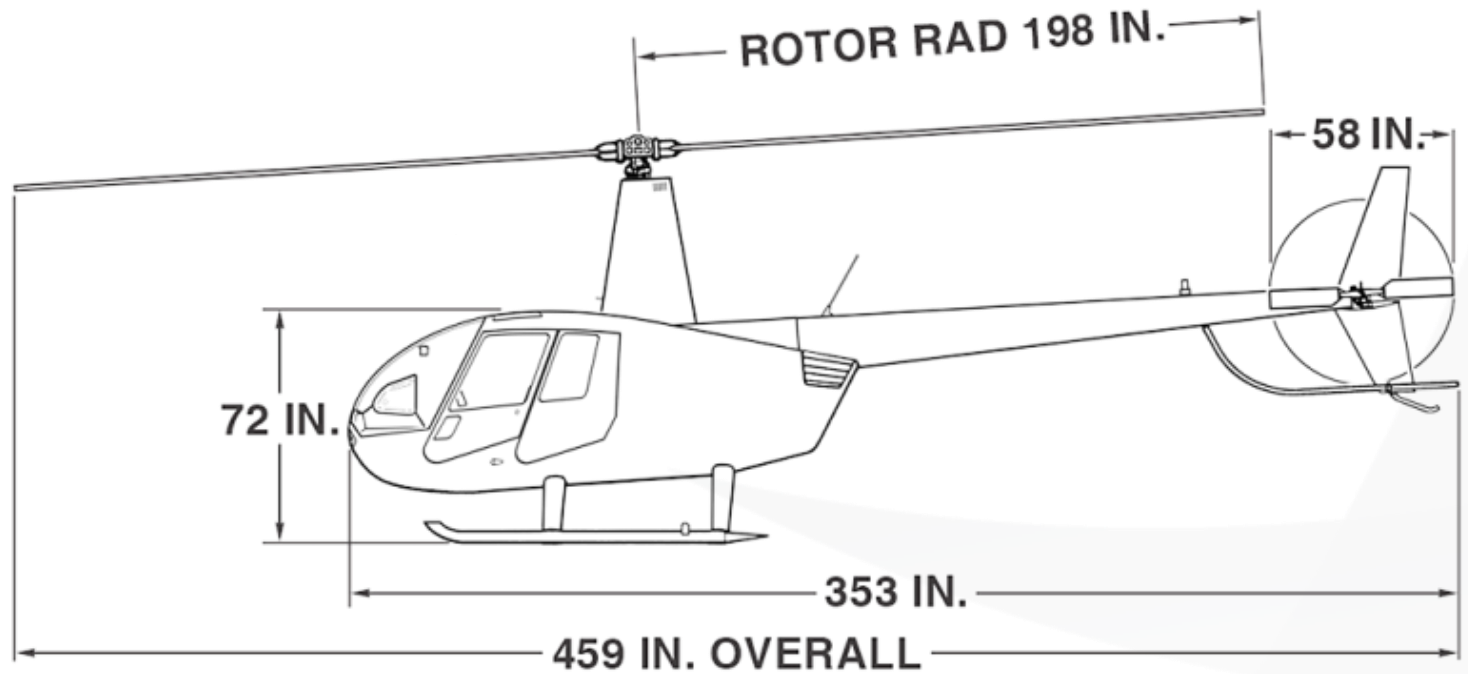
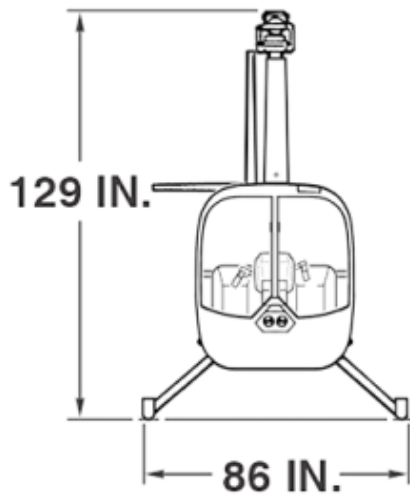
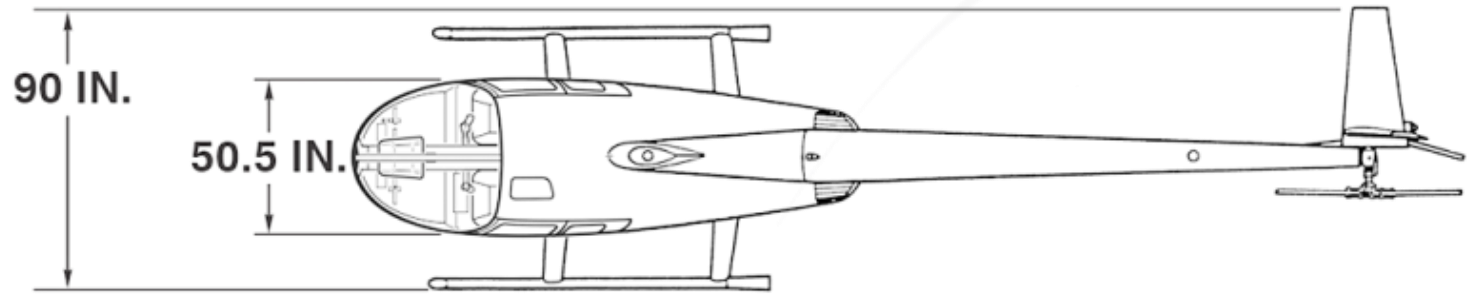
Engine Type Lycoming O-540-FB1
Serial Number L-27419-40E
Engine Total Time 1,830 Hours (subject to slight variance)

Interior

- Tan Leather
- 7/10

Robinson R44

Raven I





Avionics / Instruments

7 – Hole VFR Panel

Audio Controller

ADS-B Out Compliant

Garmin GNC420W GPS

Garmin GTX 330 Transponder



Additional Equipment

Fuel Bladders

Dual controls

Tan Leather Interior

Tan Aft / Upper Bulkhead



COMPONENT	Current Time	TBO
Airframe	1,830	370hrs
Engine	1,830	370hrs
MR Blades	1,830	370hrs / 2025
TR Blades	1,830	370hrs / 2025








Contact us



Primary:


Ian Swett

 512-877-8993

 Ian.S@sellacopter.com

Secondary:

Zach Whitehead

 512-886-8301

 Zach.W@sellacopter.com

Office

 1-855-SELLACOPTER (735-5226)

 Sales@sellacopter.com

 Sellacopter.com