

  
**Sellacopter**<sup>™</sup>  
List it. Sell it. Done.



**2008 Robinson R44 Raven I**  
**Serial Number 1950**

# 2008 Robinson R44 Raven I

Serial Number 1950

## Aircraft Highlights

- Professionally Maintained
- Bladder Tanks
- Custom Upholstered Seats

## Airframe

**Registration Number** N806NV  
**Airframe TSMOH** 1623 Hours  
**Annual Inspection** January 2022

## Exterior

- Dark Metallic Red
- 8/10

## Engine

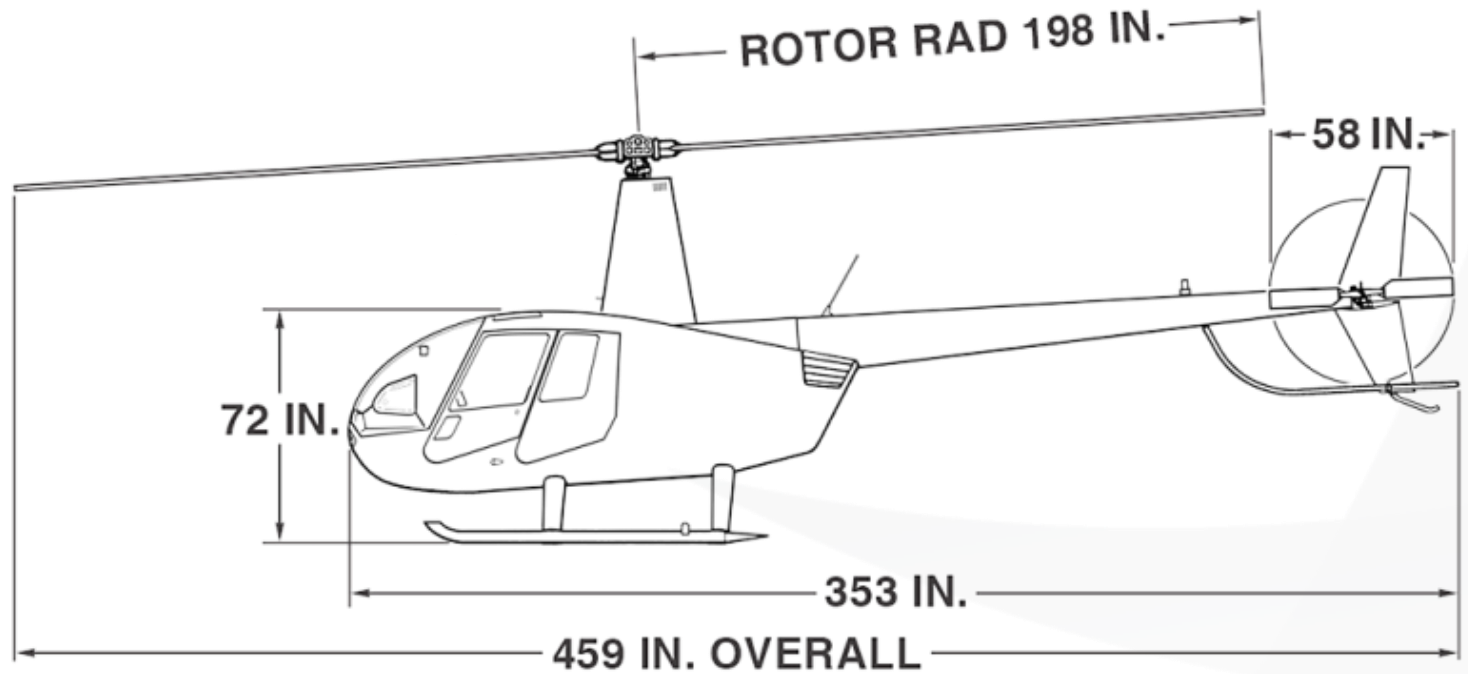
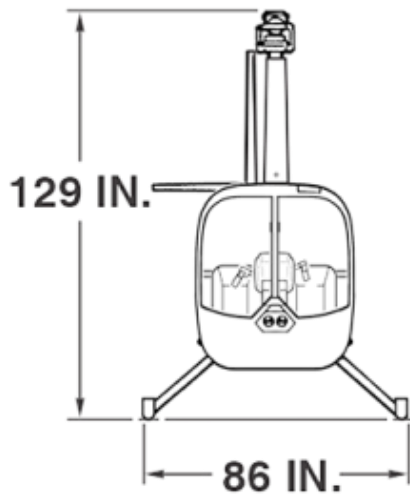
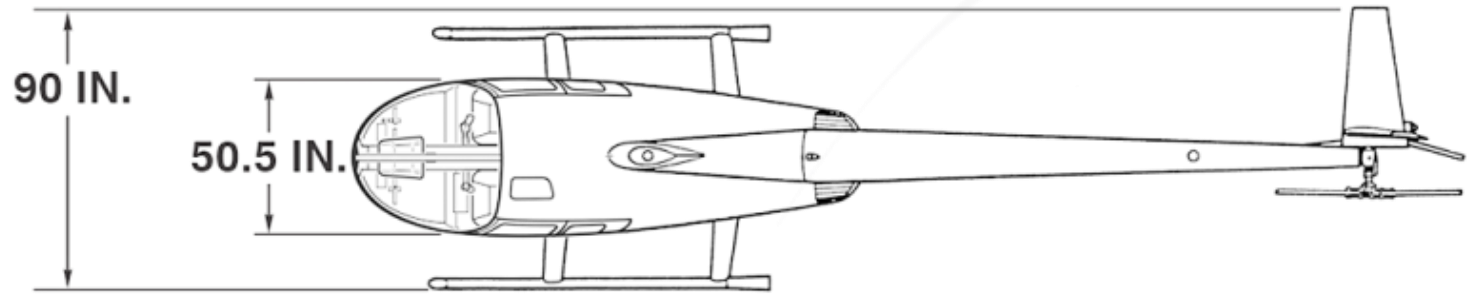
**Engine Type** Lycoming O-540-F1B5  
**Serial Number** L-26932-40E  
**Engine Total Time** 1623 Hours

## Interior

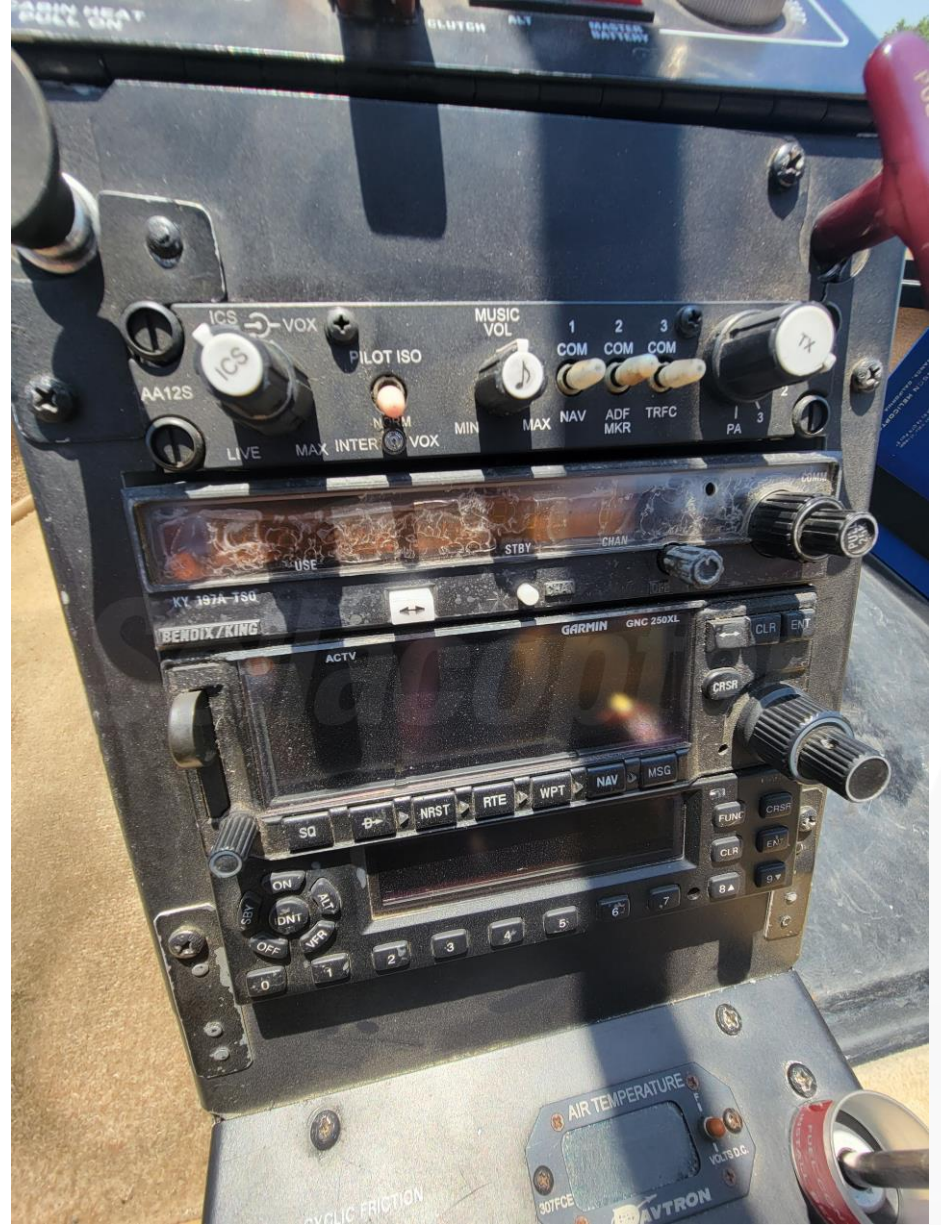
- Tan Leather
- 8/10
- New seats and head liners in 2021

# Robinson R44

## Raven I







# Avionics / Instruments

Garmin GNX 250 XL GPS

Garmin GTX 335 Transponder

ADS-B Out

KY197A VHF Comm

Artificial Horizon with Slip/Skid

Directional Gyro

NAT Audio Controller

Kannad ELT





# Additional Equipment

4 Bubble Windows

Dual Controls

Bladder Tanks

Fire Extinguisher







# Field Overhaul Completed November 2018 at 2200 Hours

COMPONENT	Current Time	TBO
Airframe	1,623	577
Engine	1,623	577
MR Blades	1,623	577 / 8 yrs
TR Blades	1,623	577 / 8 yrs







DANGER

DANGER

N806NN

ROBINSON





N806NV

NOVICTOR

DANGER

DANGER




# Contact us



**Primary:**


**Zack Robinson**

 512-886-8220

 Zack.r@sellacopter.com

**Secondary:**

**Zach Whitehead**

 512-886-8301

 Zach.w@sellacopter.com

## Office

 1-855-SELLACOPTER (735-5226)

 Sales@sellacopter.com

 Sellacopter.com