


Sellacopter[™]
List it. Sell it. Done.



2012 Robinson R44 Clipper II

Serial Number 13399

2012 Robinson R44 Clipper II

Serial Number 13399

Aircraft Highlights

- Pop-Out Floats
- 9-Hole Panel
- Fuel Bladders

Airframe

Registration Number N106FC
Airframe Total Time 2121.1 Hours
Annual Inspection Feb 2021

Engine

Engine Type Lycoming IO-540-AE1A5
Serial Number L-35146-48E
Engine Total Time 2121.1 Hours

Exterior

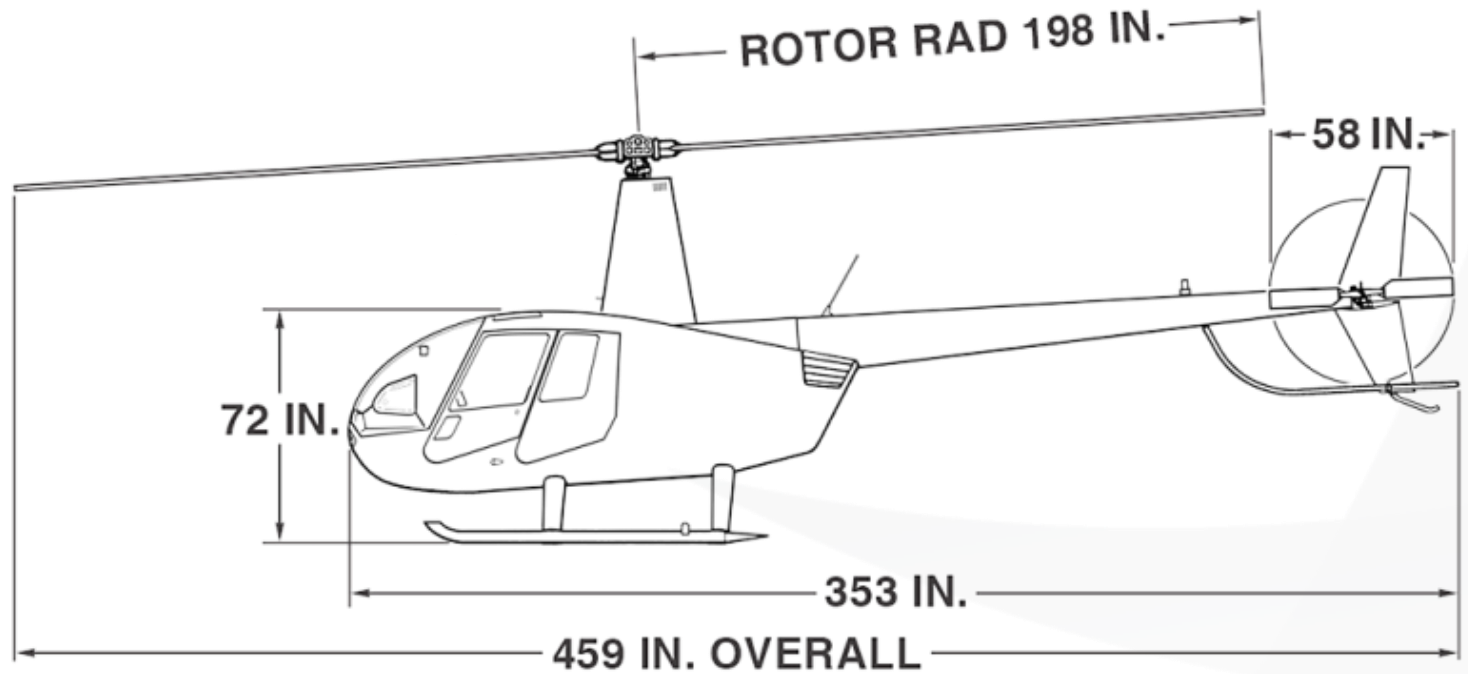
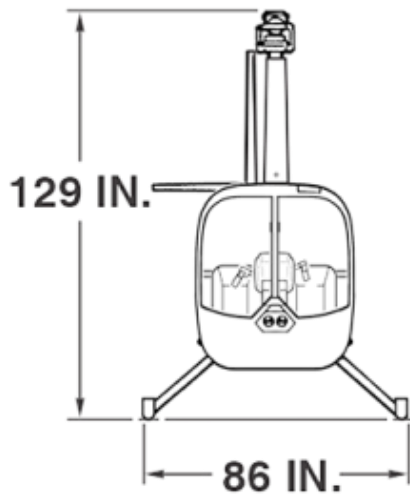
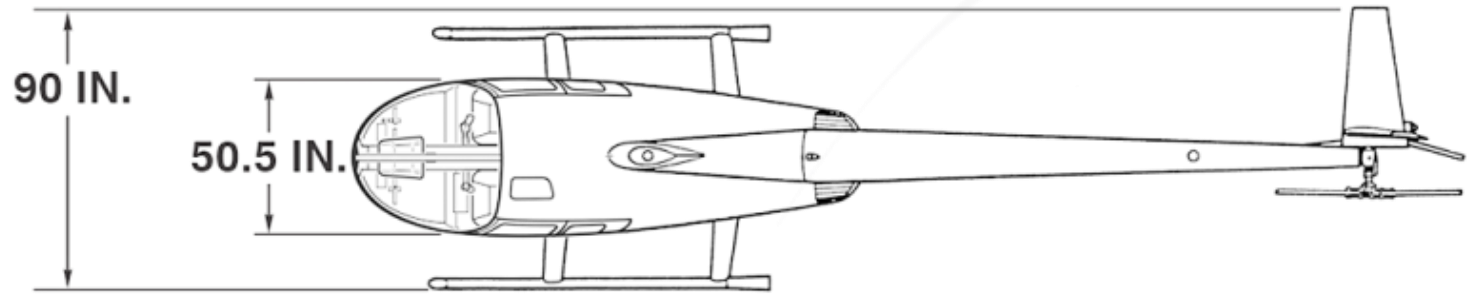
- Green
- White Accent Stripe
- 8/10

Interior

- Tan Cloth
- 5/10

Robinson R44

Raven II





Avionics / Instruments

GNS 530 Pilot side mounted GPS

GTX 330 Transponder

Full IFR Instrument Suite

Bendix King KY196A Comm



Additional Equipment

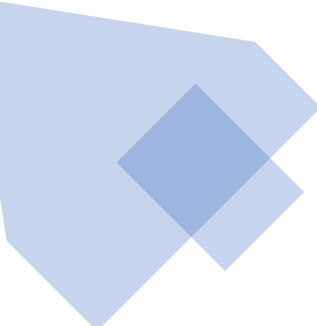
ADSB – OUT

Air Conditioning

Fuel Bladders

Dual Controls





COMPONENT	Current Time	TBO
Airframe	2121.1	78.9
Engine	2121.1	78.9
MR Blades	1150.0 hrs / July 2019	1050 hrs / 9 yrs
TR Blades	1150.0 hrs / July 2019	1050 hrs / 9 yrs








Contact us




Zack Robinson

 512-886-8220

 Zack.R@sellacopter.com

Halsey Schider

 512-886-8300

 Halsey.S@sellacopter.com

Office

 1-855-SELLACOPTER (735-5226)

 Sales@sellacopter.com

 Sellacopter.com