

  
**Sellacopter**<sup>™</sup>  
List it. Sell it. Done.



**2007 Robinson R44 Raven II**

**Serial Number 11599**

# 2007 Robinson R44 Raven II

Serial Number 11599

## Aircraft Highlights

Professionally Maintained  
Fuel Bladders

Always Hangared

## Airframe

**Registration Number** N871RA  
**Airframe Total Time** 1440 Hours  
**Annual Inspection** June 2021

## Exterior

- Metallic Dark Green
- Tan Accent Stripe
- 9/10

## Engine

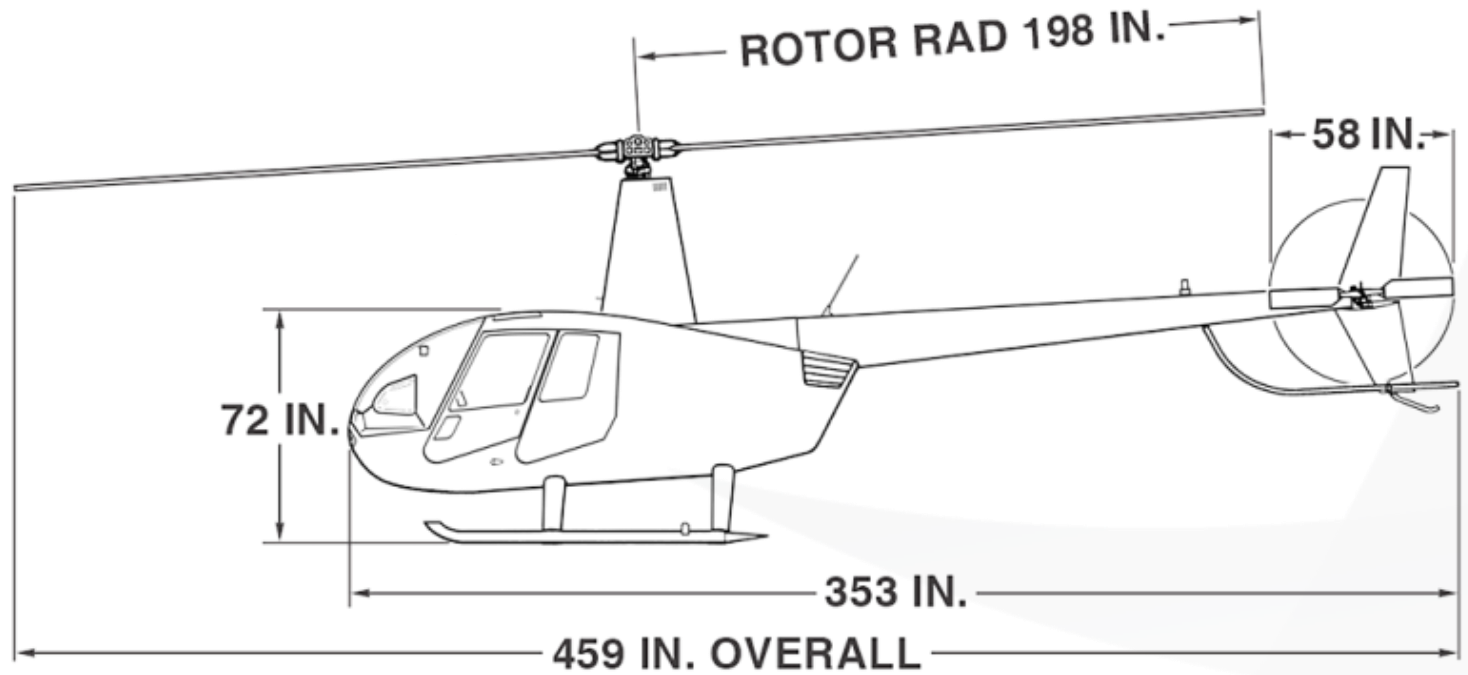
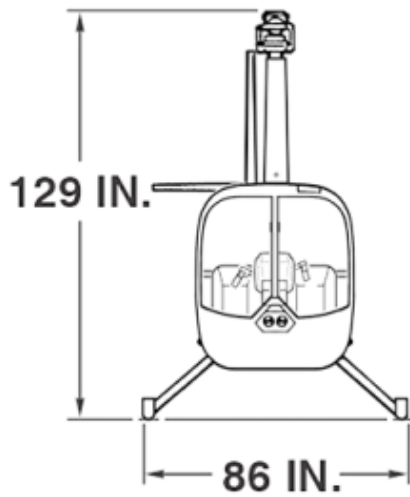
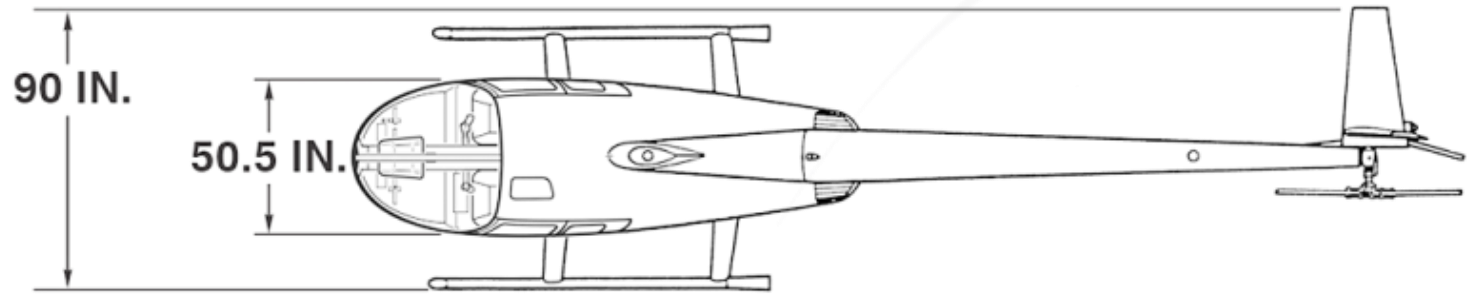
**Engine Type** Lycoming IO-540-AE1A5  
**Serial Number** L-31710-48A  
**Engine Total Time** 1440

## Interior

- Grey Leather
- 8/10

# Robinson R44

## Raven II







# Avionics / Instruments

GTN 430 GPS

United Instruments Altimeter

United Instruments VSI

United Instruments Airspeed Indicator

COMM – Bendix King KY196A

Vertical Compass Card

Dual Tachometer

BF Goodrich Attitude Indicator

Transponder GTX 330

NAT Audio Control





# Additional Equipment

---

Seven Hole VFR Panel

---

Fuel Bladders

---

ADSB – OUT Tail Beacon UAVIONI

---

Grey Leather Interior

---

Grey Aft / Upper Bulkhead

---

Ground Handling Wheels

---

Bose Headset interface

---

Sold with two Bose Headsets

---

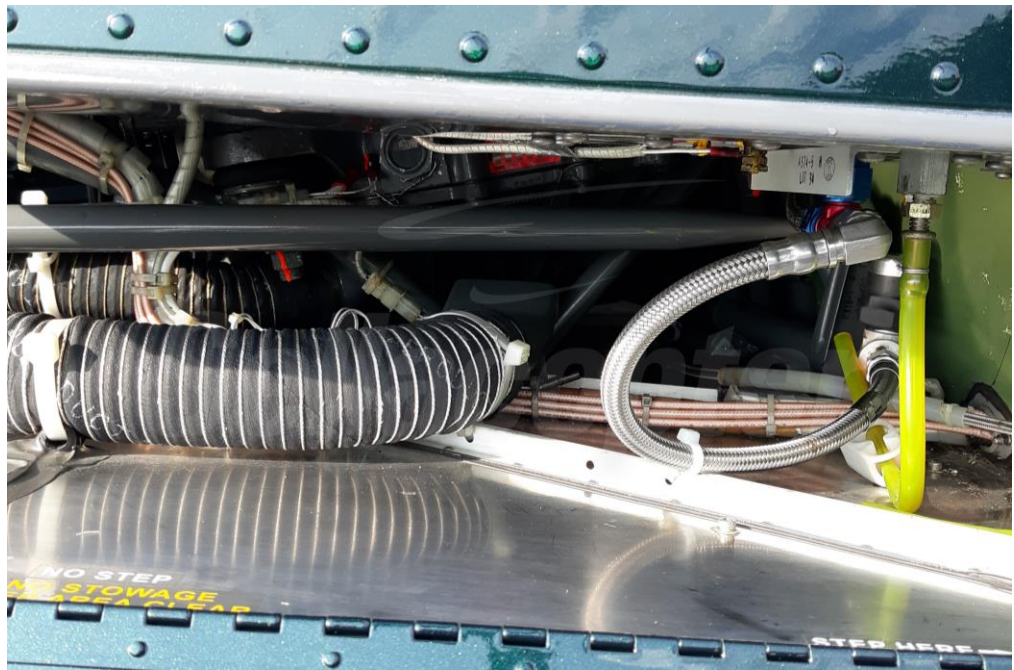
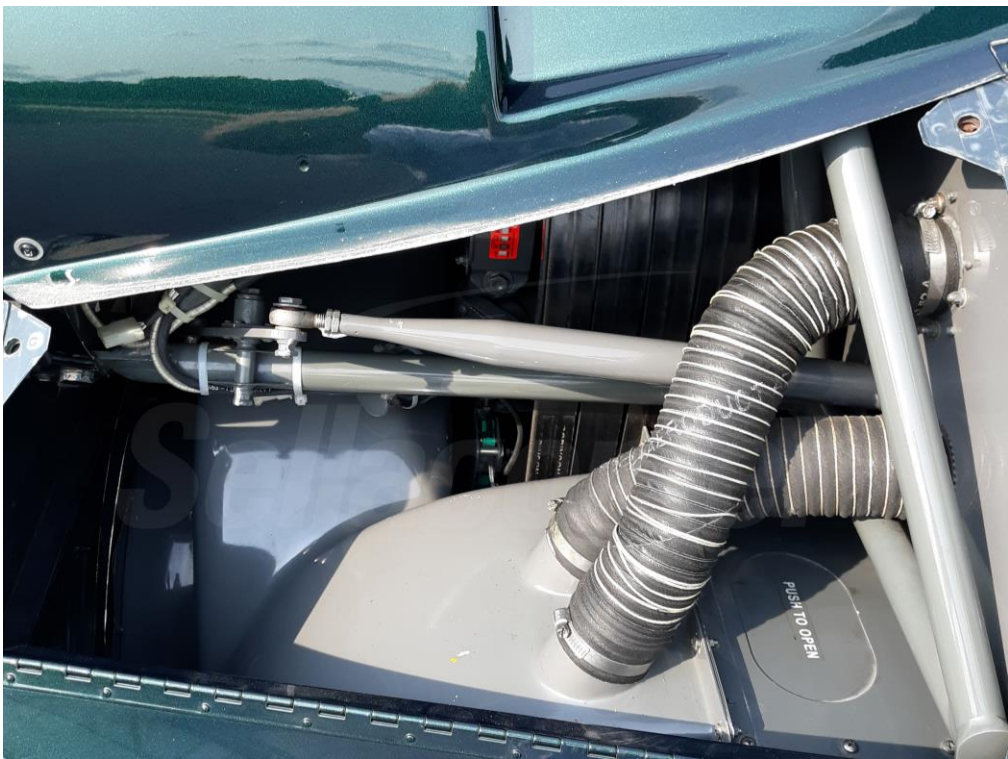
AC not currently installed, but able to be installed after closing







COMPONENT	Current Time	TBO	COMPONENT	Current Time	TBO
MR GEARBOX	1,440	760.0	CLUTCH SHAFT	1,275	925
MR BLADE	1067.6 / yr2028	1,132.4	BEARING ASSY	1,440	760.0
MR BLADE	1067.6 / yr2028	1,132.4	SPRAG CLUTCH	1,275	925
MR SWASHPLATE	1,440	760.0	TR DRIVESHAFT	1,440	760.0
FRAME ASSY	1,440	760.0	LOWER SWASHPLATE	1,440	2,960
TR GEARBOX	1,440	760.0	MR DRIVESHAFT	1,440	760.0
TAILCONE ASSY	1,440	2,974.40	MRGB SUMP	1,440	760.0
TR BLADE	1075.4 / yr2027	1,124.6	MRGB HOUSING	1,440	760.0
TR BLADE	1075.4 / yr2027	1,124.6	TR GEARSET	1,440	760.0
TR HUB ASSY	1,075.4	1,124.6	TR GUARD	1,440	760.0
TR PITCH CONTROL	433.4	1,766.6	HYD. RESV. ASSY	1,440	760.0
HORIZ STAB	2,381.4	2,018.6	HYD. RESV. ASSY	1,440	760.0
ACTUATOR	1,440	760.0	HYD. RESV. ASSY	1,440	760.0
MR GEARSET	1,440	760.0	HYD. RESV. ASSY	1,440	760.0
MR HUB	1,440	760.0	HYD. RESV. ASSY	1,440	760.0
MR SPINDLE	1,440	760.0			
MR SPINDLE	1,440	760.0			








# Contact us




## Zack Robinson

 512-886-8220

 Zack.R@sellacopter.com

## Halsey Schider

 512-886-8300

 Halsey.S@sellacopter.com

## Office

 1-855-SELLACOPTER (735-5226)

 Sales@sellacopter.com

 Sellacopter.com