


Sellacopter™
List it. Sell it. Done.



2004 Robinson R44 Raven II

Serial Number 10333

2004 Robinson R44 Raven II

Serial Number 10333

Aircraft Highlights

- Private Use
- Well Maintained
- Ready For Overhaul

Airframe

Registration Number C-FAJK
Airframe Total Time 2200 Hours

Engine

Engine Type Lycoming IO-540-AE1A5
Serial Number L-29265-48A
Engine Total Time 2200

Exterior

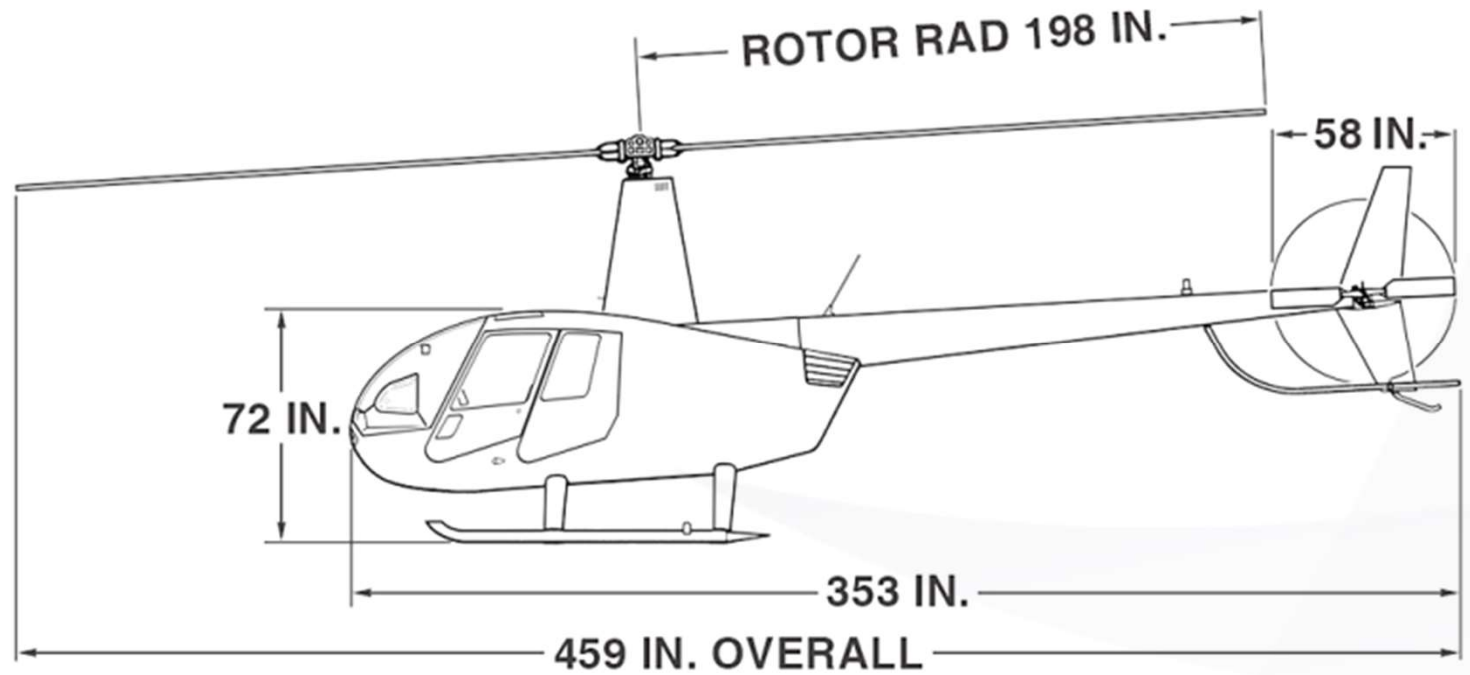
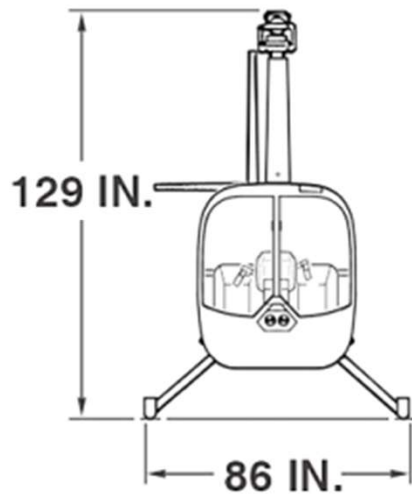
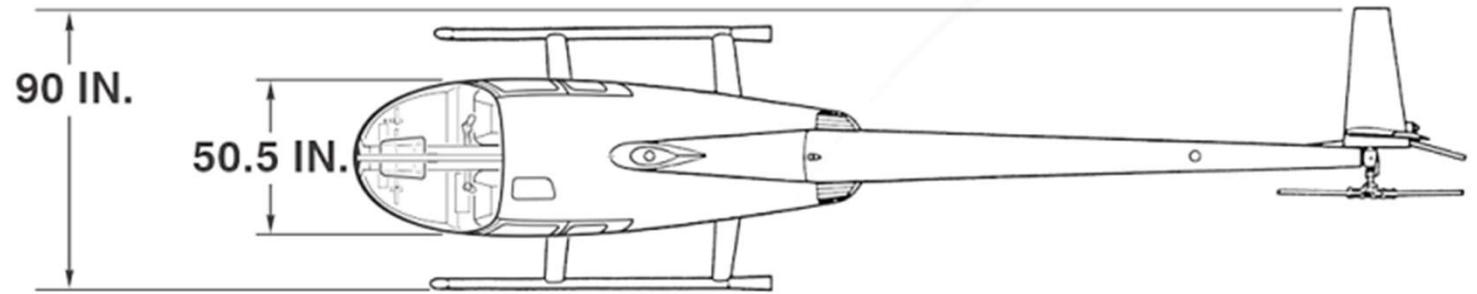
- White
- Burgundy Accent Stripe
- 7/10

Interior

- Grey Cloth
- 8/10

Robinson R44

Raven II





Avionics / Instruments

Garmin GPS 150XL

Bendix King KY196A Comm

Bendix King KT76C Transponder



COMPONENT	Current Time	TBO
Engine	2200	0
MR Blades	2200	0
TR Blades	2200	0
Airframe	2200	0








Contact us




Zack Robinson

 512-886-8220

 Zack.R@sellacopter.com

Halsey Schider

 512-886-8300

 Halsey.S@sellacopter.com

Office

 1-855-SELLACOPTER (735-5226)

 Sales@sellacopter.com

 Sellacopter.com