


Sellacopter™
List it. Sell it. Done.



2003 Robinson R44 Raven II

Serial Number 10047

2003 Robinson R44 Raven II

Serial Number 10047

Aircraft Highlights

- Complete Spray System Installed - Ag Ready!
- Only 2 years out of overhaul
- Fuel Bladders

Airframe

Registration Number N8914P
Airframe Total Time 2,483 Hours
Airframe TBO 1,788 Hours / 10 years

Exterior

- White
- BlueAccent Stripe
- 9/10 – Painted in 2019

Engine

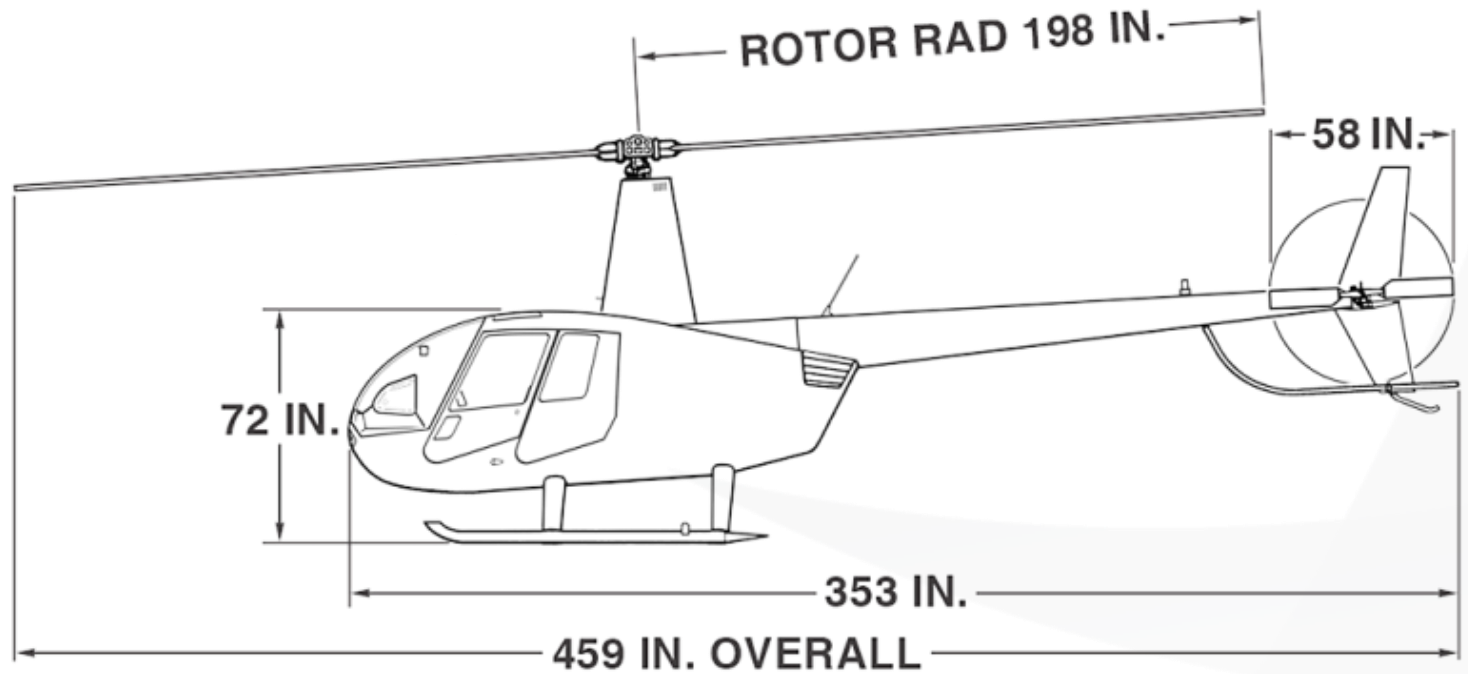
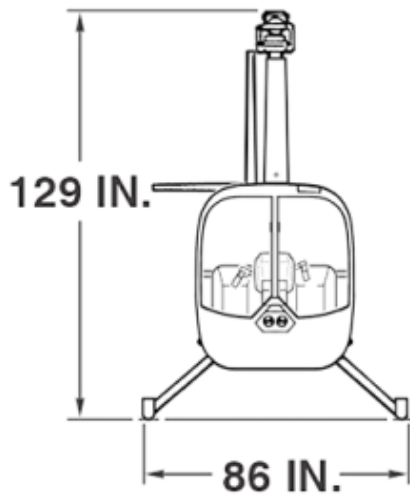
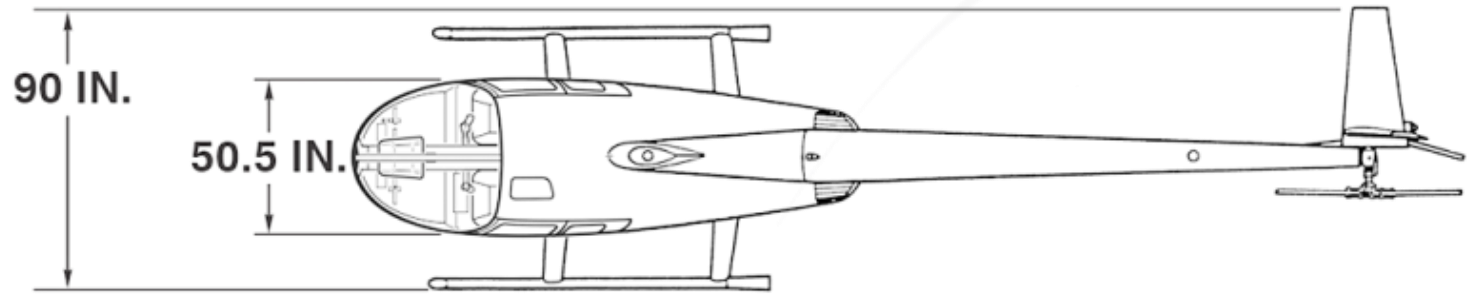
Engine Type Lycoming IO-540-AE1A5
Serial Number L-29222-48A
Engine Total Time 2,337 Hours
Engine TBO 1,788 Hours / 10 years

Interior

- Grey Leather
- 9/10 – Updated in 2019

Robinson R44

Raven II





Avionics / Instruments

Garmin GTX 420

Garmin GTX 327

ADS-B Out



Additional Equipment

Complete Ag Spray System

Air Conditioning – Refreshed at Overhaul

Seven Hole VFR Panel

Fuel Bladders

Grey Leather Interior

Grey Aft / Upper Bulkhead






Contact us




Zack Robinson

 512-886-8220

 Zack.R@sellacopter.com

Halsey Schider

 512-886-8300

 Halsey.S@sellacopter.com

Office

 1-855-SELLACOPTER (735-5226)

 Sales@sellacopter.com

 Sellacopter.com