


Sellacopter™
List it. Sell it. Done.



2008 Robinson R44 Raven II

2008 Robinson R44 Raven II

Aircraft Highlights

Professionally Maintained

Always Hangared

Airframe

Airframe Total Time 1598.7

Exterior

- Silver with Dark Blue accent
- Astro Paint Scheme
- 8/10

Engine

Engine Type Lycoming IO-540-AE1A5
Engine Total Time 1598.7

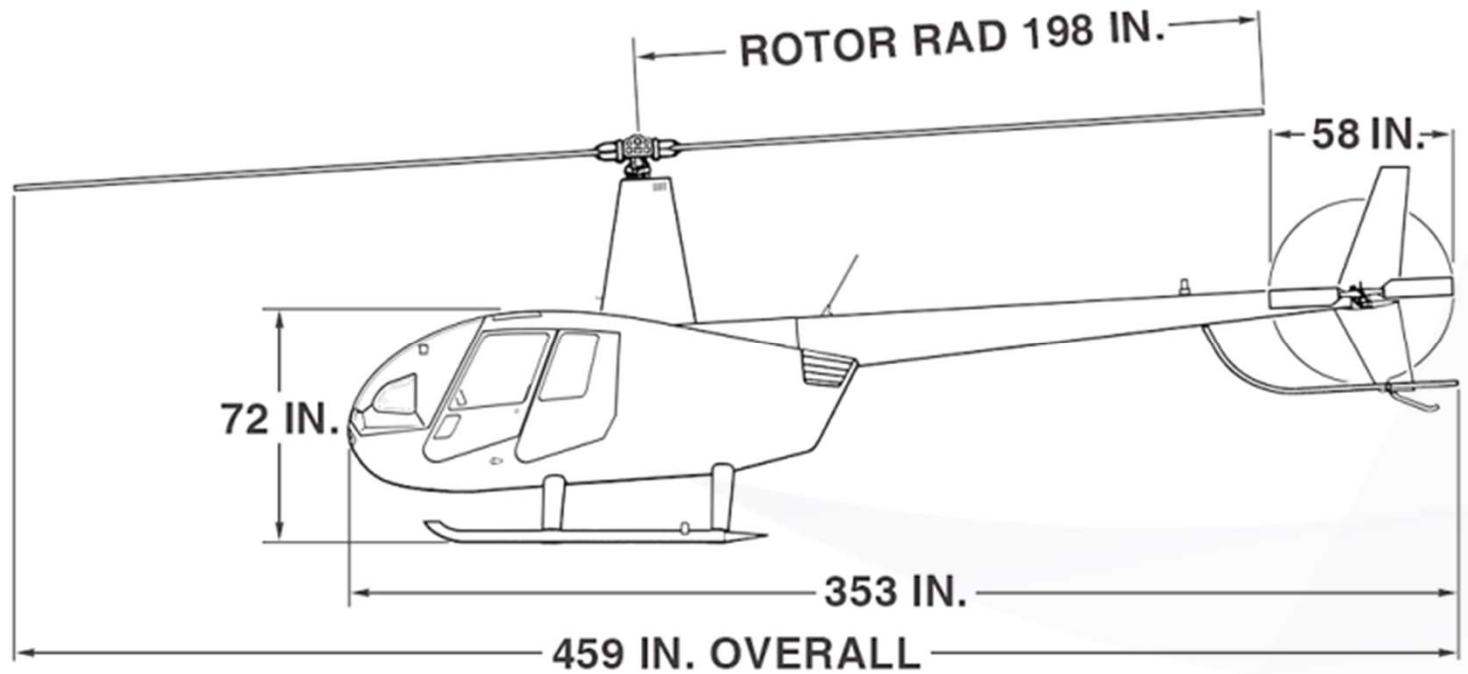
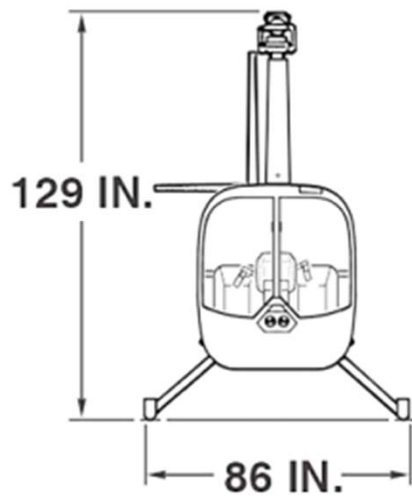
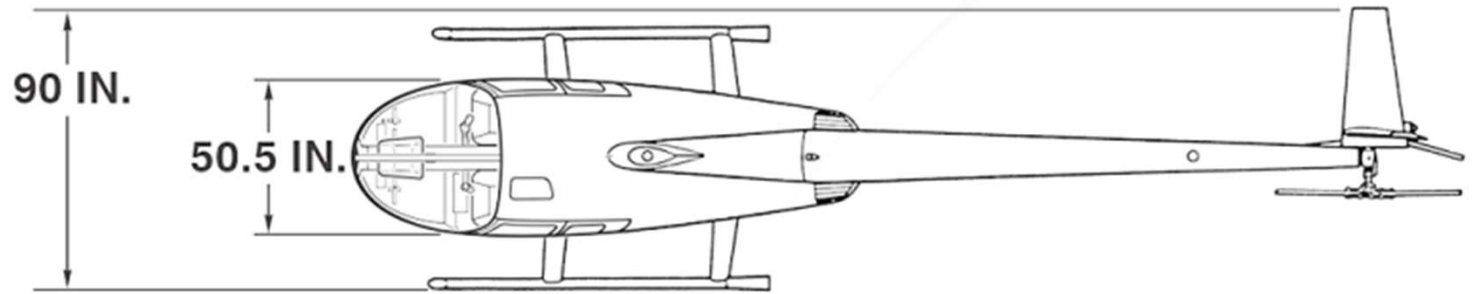
Interior

- Grey Leather
- 8/10
- New Headliner 2021



Robinson R44

Raven II





Avionics / Instruments

500W GPS

United Instruments Altimeter

United Instruments VSI

United Instruments Airspeed Indicator

COMM – Bendix King KY196A

Vertical Compass Card

Dual Tachometer

MID Continent Attitude Indicator

Transponder GTX 330

NAT Audio Control



Additional
Equipment

Nine Hole Instrument Console

ADSB – OUT Tail Beacon UAVIONI

Sold with two Bose (A10 & A20)

Pilot Side Mounted GPS

Ground Handling Wheels

New headliner

Air Conditioning

-7 Main Rotor Installed 2020

New tail rotor Installed 2021






Contact us




Bryan Court

 512-886-8244

 Bryan.c@sellacopter.com

Halsey Schider

 512-886-8300

 Halsey.s@sellacopter.com

Office

 1-855-SELLACOPTER (735-5226)

 Sales@sellacopter.com

 Sellacopter.com